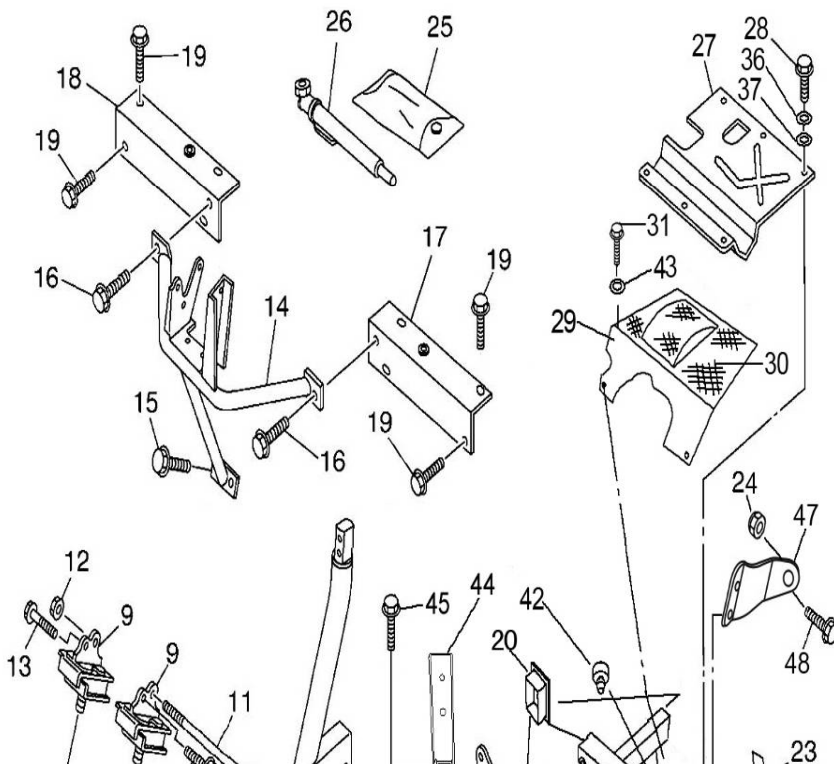


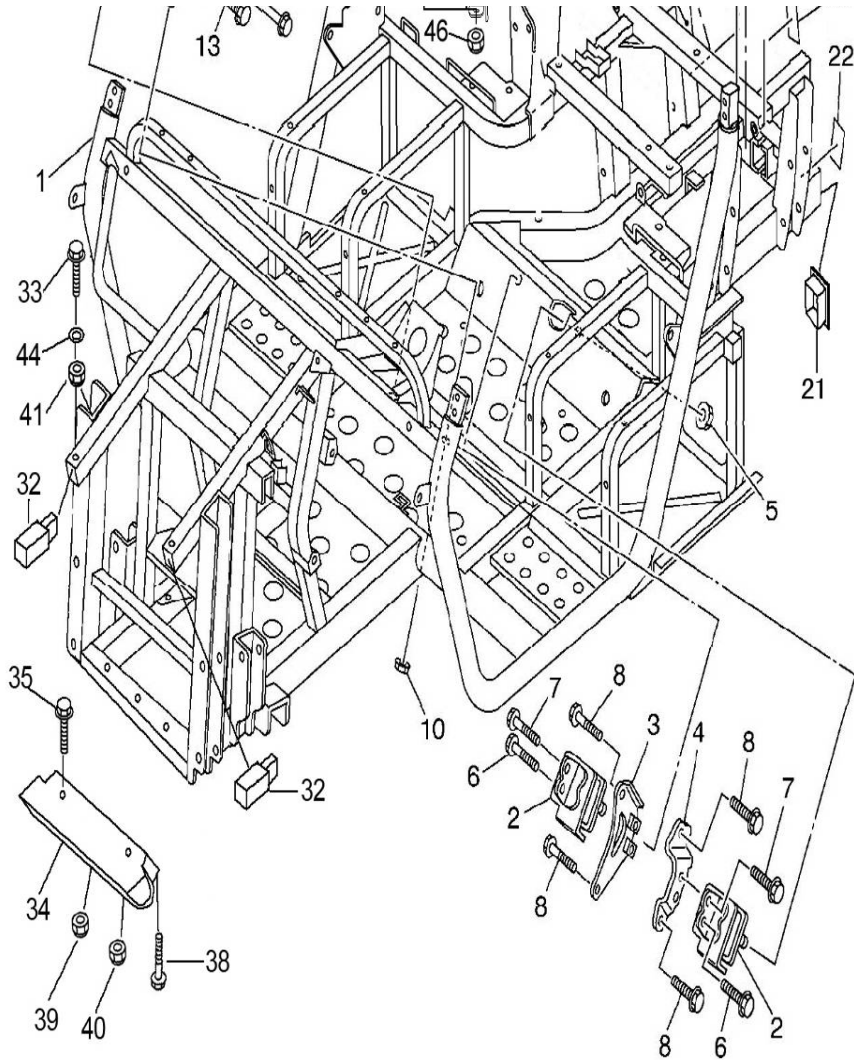
18	201170018	Reverse Cable
19	201170019	Reverse Gear Position-Hold Spring

FIG. 202

02、 Frame



S/N	Parts Number	Part Name And Standard
1	202170001	Frame Joint Parts
2	202170002	Connecting Bracket 1
3	202170003	Right Support, Engine
4	202170004	Left Support ,Engine
5	202170005	Flange Nut M10×1.25
6	106170023	Flange Bolt M6X16
7	201170010	Flange Bolt M8X16
8	201170010	Flange Bolt M8X16
9	202170009	Connecting Bracket 2
10	202170005	Flange Nut M10×1.25
11	202170011	Flange Bolt M10×1.25×170
12	202170005	Flange Nut M10×1.25
13	106170023	Flange Bolt M6X16
14	202170014	Bracket,Middle Protective Board
15	106170023	Flange Bolt M6X16
16	202170016	Six-Angle Flange Bolt M10×1.25×22
17	202170017	Left Bracket,Left Seat
18	202170018	Right Bracket,Right Seat

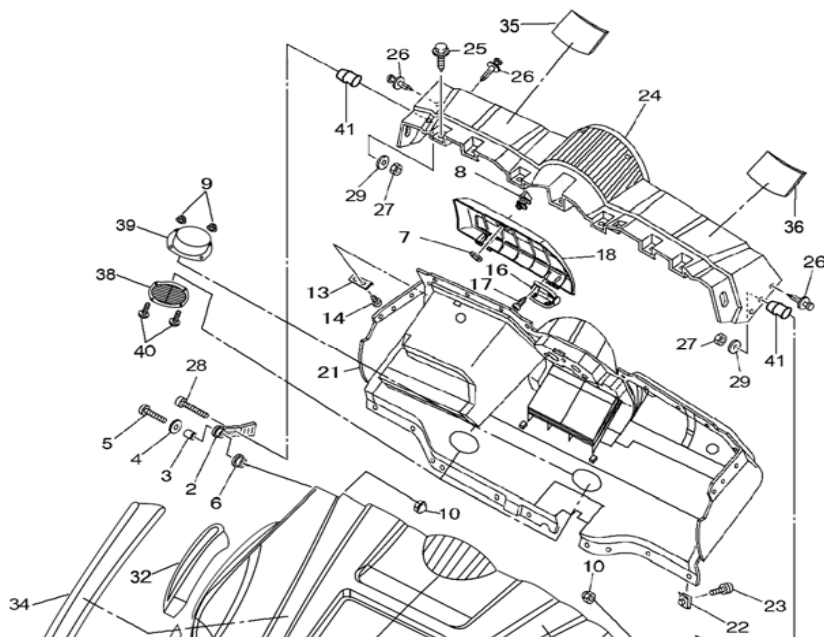


19	201170010	Flange Bolt M8X16
20	202170020	Upper Plug
21	202170021	Lower Plug
22	202170022	Mark 7 (Hitch Weight Instruction)
23	202170023	Mark 6 (Hitch Structure Instruction)
24	202170024	Six-Angle Flange Bolt M 8
25	202170025	Tool Kit
26	202170026	Tire Pressure Gauge
27	202170027	Insulation Board, Muffler
28	201170009	Flange Bolt M6×12
29	202170029	Insulation Board
30	202170030	Rear Insulation Aluminum Foil
31	201170009	Flange Bolt M6×12
32	202170032	Bracket,Front Insert
33	202170033	Flange Bolt M10×1.25×38
34	202170034	Bumper Holder
35	202170035	Bolt M12×35×1.5
36	201170008	Gasketφ6
37	202170037	Washerφ6
38	202170038	Flange Bolt M10×25×1.25
39	202170039	Nut M12×1.5
40	202170005	Nut M10×1.25
41	202170005	Nut M10×1.25
42	202170042	Shock Absorberer Rubber Cushion (Round)
43	201170008	Gasketφ6

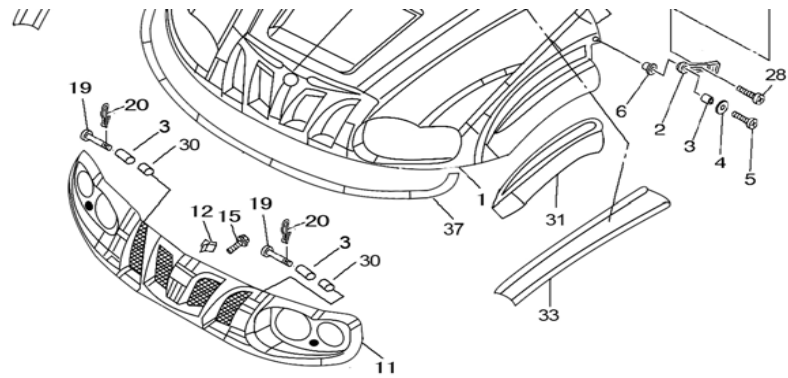
44	202170044	Wire Clip Board
45	106170023	Flange Bolt M6×16
46	202170046	Nut M6
47	202170047	Installing Support, Rear Reducer Casing
48	202170048	Six-Angle Flange Bolt M8X12

FIG.203

03、 Front Hood



S/N	Parts Number	Part Name And Standard
1	203170001	Red Front Board (A)
1	203170001	Black Front Board (A)
1	203170001	Dark Green Front Board (A)
1	203170001	Green Camouflage Front Board (A)
1	203170001	Maple Leaf Front Board (A)
1	203170001	Silvery Front Board (A)
2	203170002	Front Cover Latch
3	203170003	Left Mount Bushing, Front Cover
4	201170008	Washer Φ6
5	106170003	Six-Angle Flange Bolt M6×30
6	203170006	Washer
7	203170007	Bolt M6
8	203170008	Case Lock Set
9	203170009	Six-Angle Flange Nut M6
10	203170007	Nut M6
11	203170011	Front Headlight Grille (A)

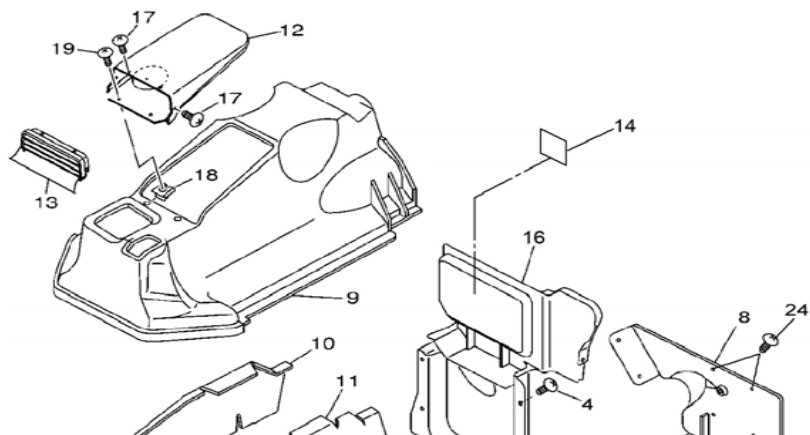


12	203170012	Nut Cap M6
13	203170013	Front Cover Latch Catch
14	203170014	Screw M6×25
15	203170015	Screw M6×20
16	203170016	Plastic Jaw
17	203170017	Screw ST4.2×13
18	203170018	Case Cover
19	203170019	Pin Φ12.5
20	203170020	Collar Pin Φ3.2×25
21	203170021	Dash Board I
22	203170009	Nut M6
23	203170015	Bolt M6×20
24	203170024	Red Connecting Cover (A)
24	203170024	Black Connecting Cover (A)
24	203170024	Dark Green Connecting Cover (A)
24	203170024	Green Camouflage Connecting Cover (A)
24	203170024	Maple Leaf Connecting Cover (A)
24	203170024	Silvery Connecting Cover (A)
25	203170025	Bolt M6×1.25×35
26	203170015	Screw M6×20
27	203170009	Flange Nut M6
28	203170025	Flange Bolt M6×1.25×35
29	201170008	Washer Φ6
30	203170030	Right Mount Bushing, Front Cover
31	203170031	Left Black Fender, Front Cover

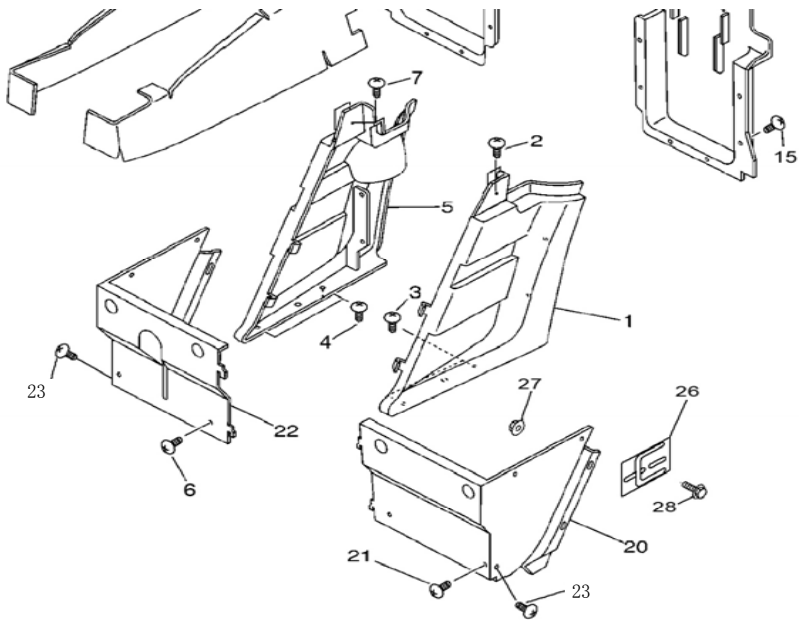
32	203170032	Right Black Fender, Front Cover
33	203170033	Left Decorative Panel, Front Cover
34	203170034	Right Decorative Panel, Front Cover
35	203170035	Right decorative panel, Connecting cover
36	203170036	Left decorative panel, Connecting cover
37	203170037	Front Decorative Regula, Front Cover
38	203170038	Speaker Cover
39	203170039	Speaker Box
40	203170015	Bolt M6×20
41	203170041	Latch Pin

FIG.204

04 、 Side Cover Parts



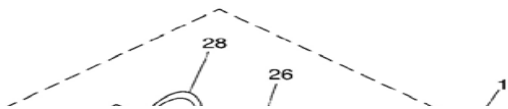
S/N	Parts Number	Part Name And Standard
1	204170001	Left Seat Base Side Panel
2	204170002	Screw M6×16
3	204170002	Screw M6×16
4	204170002	Screw M6×16
5	204170005	Right Seat Base Side Panel
6	204170006	Screw
7	204170002	Flange Bolt M6×16
8	204170008	Rear Left Panel, Seat
9	204170009	Centre Cover Board I
9	204170009	Centre Cover Board II
10	204170010	Right Seal



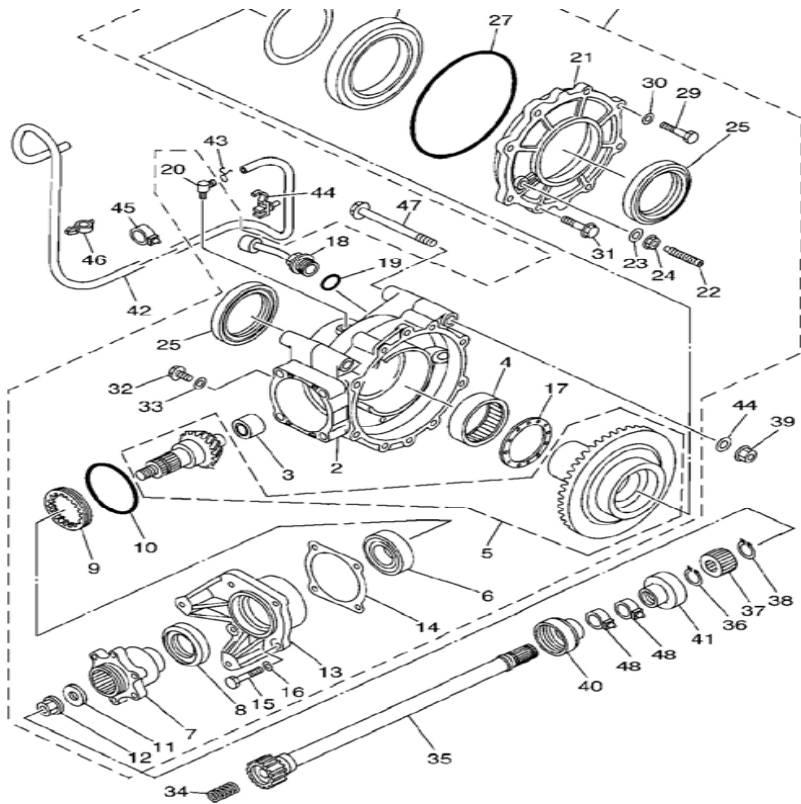
11	204170011	Left Seal
12	204170012	Primary Air Filter Cover
13	204170013	Primary Air Filter Cap
14	204170014	Sticker 9 (Fuel Route Instruction)
15	204170002	Screw M6×16
16	204170016	Rear Right Panel, Seat
17	204170006	Screw
18	204170018	Whorl Clip M5
19	203170015	BoltM5×20
20	204170020	Left seat board
21	204170002	Screw M6×16
22	204170022	Right seat board
23	201170009	Six-angle flange bolt M6×12
24	204170002	Screw M6×16
25	204170006	Screw
26	204170026	Side door lock
27	204170027	Six-angle flange bolt M6

FIG.205

05、 Rear Differential & Rear Axle Assy



S/N	Parts Number	Part Name And Standard
1	205170001	Speed Reducer Component
2	205170002	Reducer Casing Cover I
3	205170003	Bearing Hk223013Φ22×Φ30×13



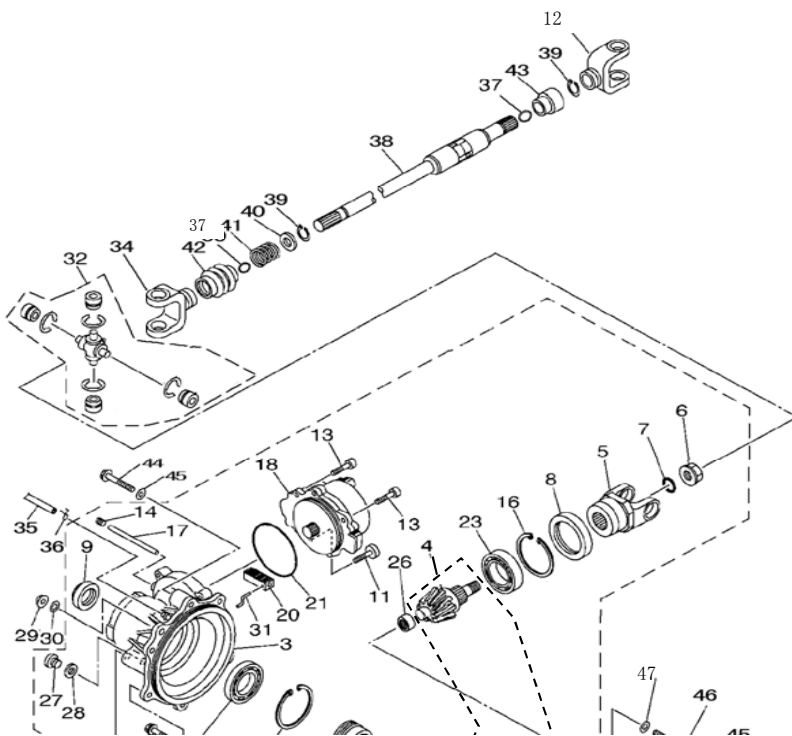
4	205170004	Bearing Hk556720Φ55×Φ67×20
5	205170005	Drive & Driven Gears Assy
6	105170022	Bearing 6305Φ25×Φ62×17
7	205170007	Mount Bracket, Rear Disk Brake Plate
8	205170008	Oil Seal Φ61×Φ35×9
9	205170009	Bearing 55BM6720
10	205170010	O-Ring Φ3.1×Φ63.8
11	205170011	Washer Φ12×4×Φ30
12	205170012	Six-Angle Flange Nut M12×1.25
13	205170013	Mount Bracket, Rear Disk Brake Clamp
14	205170014	Rear Adjustment Gasket I (0.1T)
14	205170014	Rear Adjustment Gasket I (0.2T)
14	205170014	Rear Adjustment Gasket I (0.5T)
15	205170015	Six Angle Bolt M8×35
16	205170016	Washerφ8.5
17	205170017	Rear Adjustment Gasket Ii (1.7T)
17	205170017	Rear Adjustment Gasket Ii (1.8T)
17	205170017	Rear Adjustment Gasket Ii (1.9T)
17	205170017	Rear Adjustment Gasket Ii (2.0T)
17	205170017	Rear Adjustment Gasket II (2.1T)
18	221170014	Bolt M20×1.5×14
19	205170019	O-Ring D=Φ2.3×Φ19.4
20	205170020	Vent, Rear Reducer
21	205170021	Rear Reducer Case II
22	205170022	Insert Sheath M8×45

23	205170016	Washer ϕ 8.5
24	202170024	Flange Nut M8
25	205170025	Oil Seal Φ 65 \times Φ 90 \times 9
26	205170026	Bearing 16017 Φ 85
27	205170027	O-Ring D= Φ 3.1 \times Φ 150
28	205170028	Adjustment Gasket
28	205170028	Adjustment Gasket
29	205170029	Six-Angle Bolt M8 \times 25
30	205170030	Washer ϕ 8.5
31	202170038	Flange Bolt M10 \times 1.25 \times 25
32	205170032	Six-Angle Bolt M8 \times 20
33	205170030	Washer ϕ 8.5
34	205170034	Spring Φ 16.5 \times D= Φ 2 \times 30
35	205170035	Middle Driving Axes,Rear Bridge
36	205170036	Circlip D=20.5 \times Δ =1
37	205170037	Connection Cover,Rear Bridge
38	205170038	Elasticity Block Ring D=17.5 \times Δ =1
39	202170005	Flange Nut M10 \times 1.25
40	205170040	Front Dustproof Cover 2,Rear Bridge ϕ 23.5 \times Φ 46 \times 35
41	205170041	Rear Dustproof Cover 1,Rear Bridge Φ 19 \times Φ 40.7 \times 30
42	205170042	Tube(L1320)
43	205170043	Clip ϕ 8 \times D=1
44	205170044	Washer ϕ 10
45	205170045	Clip ϕ 12
46	205170046	Clip ϕ 9

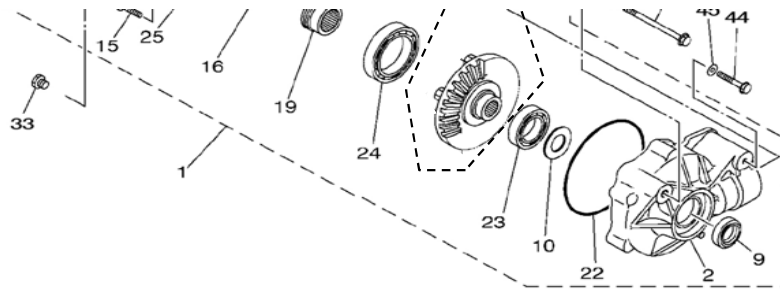
47	205170047	Six-Angle Flange Bolt M10×1.25×125
48	205170048	Clamp I 18-32

FIG.206

06、 Front Differential & Front axle assy



S/N	Parts Number	Part Name And Standard
1	206170001	Front Bridge Differential Assy
2	206170002	Front Differential Case 2
3	206170003	Front Differential Case 1
4	206170004	Driving and driven gears
5	206170005	Connection Fork I
6	206170006	Six-Angle Flange Nut M14×1.25
7	206170007	O-Type Ring $\Phi 14 \times D = \Phi 7$
8	206170008	Oil Seal,Front Box Output Shaft $\phi 48 \times \Phi 65 \times 9$
9	206170009	Oil Seal,Front Box Input Shaft
10	206170010	Washer (0.1T)
10	206170010	Washer (0.2T)
10	206170010	Washer (0.5T)
11	206170011	Six-Angle Bolt M8×25
12	206170012	fork II
13	206170011	Six-Angle Bolt M8×25
14	206170014	Six-Angle Bolt M8×10
15	206170015	Oil Drain Bolt M10×16
16	206170016	O-Ring $D=66.2 \times \Delta=2$

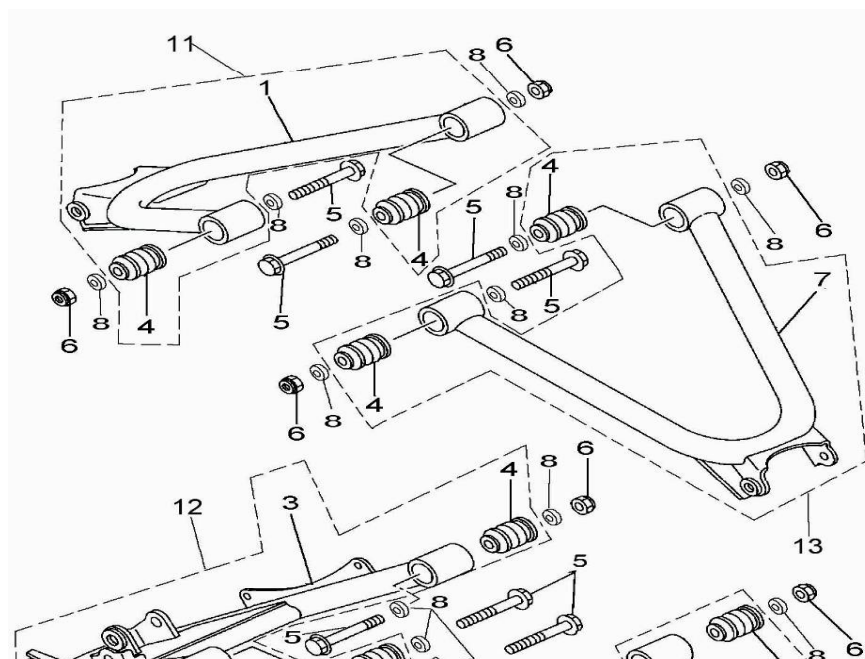


17	206170017	Column Pin $\phi 5 \times 80$
18	206170018	Divide Device
19	206170019	Divide Device Connection
20	206170020	Rack
21	206170021	O-Ring D= $\phi 2 \times \phi 81$
22	206170022	O-Ring D= $\phi 2.4 \times \phi 140$
23	206170023	Bearing 6007R $\phi 35 \times \phi 62 \times 14$
24	206170024	Bearing 6912 $\phi 60 \times \phi 85 \times 13$
25	206170025	Bearing 16007 $\phi 35 \times \phi 62 \times 9$
26	206170026	Bolling Bearing Hk152112 $\phi 15 \times \phi 21 \times 12$
27	206170027	Bolt M14 $\times 15 \times 10$
28	206170028	Washer $\phi 14 \times 2$
29	206170029	Nut M10
30	206170030	Washer $\phi 10$
31	206170031	Shaft Fork 4
32	206170032	Universal Joint
33	206170033	Bolt M14 $\times 15$
34	206170012	Connection Fork II
35	206170035	Tube $\phi 4.5 \times L=710$
36	205170043	Clip $\phi 8 \times D=1$
37	206170037	Clamp 18-32
38	206170038	Transmission Shaft, Front Bridge
39	205170038	Circlip
40	206170040	Cushion Piece
41	206170041	Spring D= $\phi 25 \times \phi 2.3 \times 28$

42	206170042	Dustproof Rubber Cover
43	206170043	Dustproof Rubbercover
44	202170038	Six -Angle Flange Bolt M10×25
45	206170030	Washer
46	206170046	Flange Screw
47	206170047	Washer

FIG.207

07、 Rear Swing Arm Assy



S/N	Parts Number	Part Name And Standard
1	207170001	Rear Left Upper Swing Arm
2	207170002	Rear Right Lower Swing Arm
3	207170003	Rear Left Lower Swing Arm
4	207170004	Middle Rubber Tube, Swing Arm
5	207170005	Flange Bolt M10×1.25×70
6	202170005	Lock Nut M10X1.25
7	207170007	Rear Right Upper Swing Arm
8	207170008	Washer, Swing Arm
9	207170009	Protective Board, Rear Right Lower Swing Arm
10	207170010	Protective Board, Rear Left Lower Swing Arm
11	207170011	Rear Left Upper Swing Arm Assy
12	207170012	Rear Left Lower Swing Arm Assy
13	207170013	Rear Right Upper Swing Arm Assy
14	207170014	Rear Right Lower Swing Arm Assy

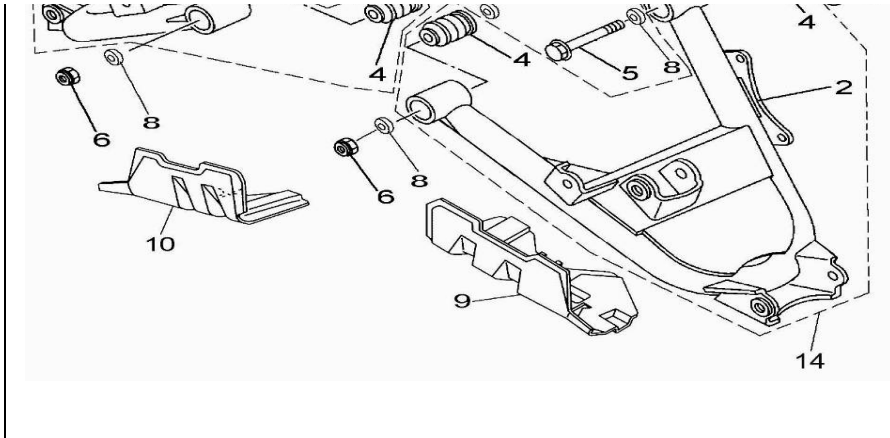
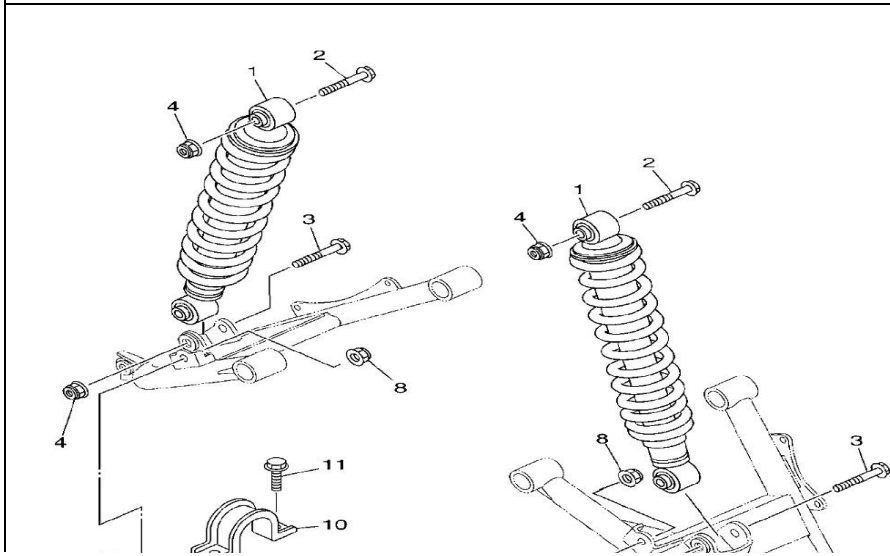
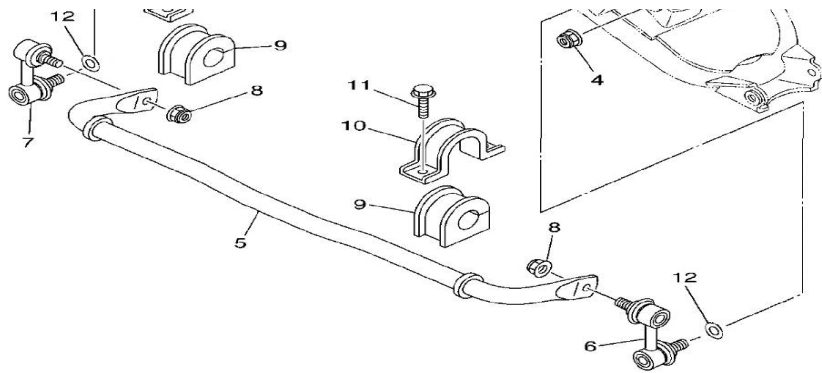


FIG.208

08、 Rear Suspension



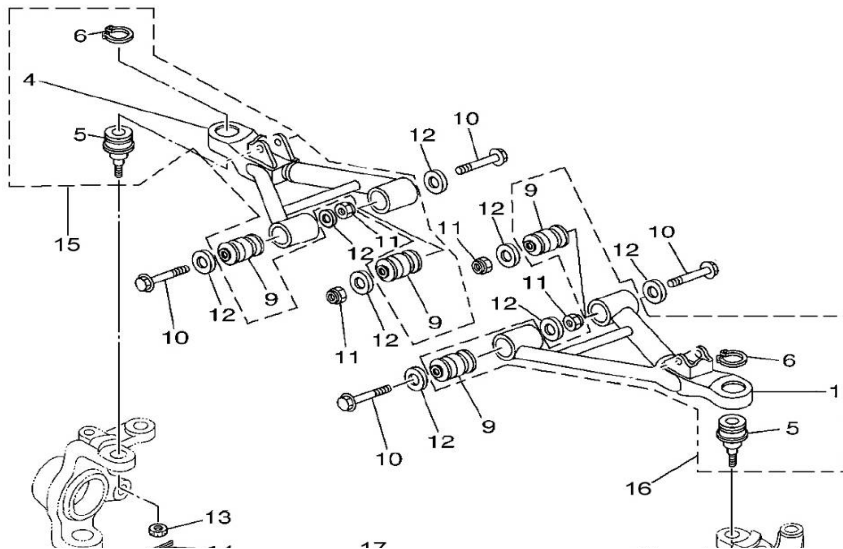
S/N	Parts Number	Part Name And Standard
1	208170001	Shock Absorb Canister (White)
1	208170001	Shock Absorber Canister (Black)
1	208170001	Shock Absorber Canister (Grey)
2	208170002	Six-Angle Flange Bolt M12×1.25×70
3	208170003	Six-Angle Flange Bolt M12×1.25×65
4	202170039	Nut M12×1.25
5	208170005	Rear Sway Bar
6	208170006	Left Sway Bar Connector
7	208170007	Right Sway Bar Connector
8	208170008	Locknut M8
9	208170009	Shock Absorb Rubber Bushing, Rear Sway Bar



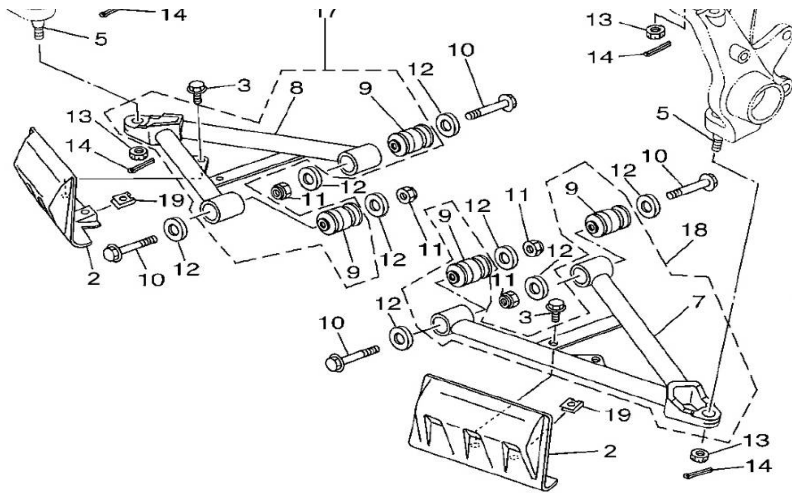
10	208170010	Sway Bar Press Board
11	201170010	Six-Angle Flange Bolt M8×16
12	205170030	Cushion Plate

FIG.209

09、 Front Swing Arm Assy



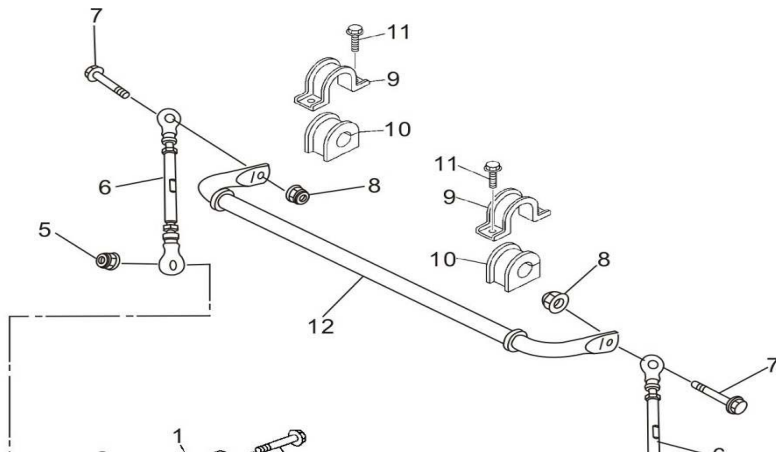
S/N	Parts Number	Part Name And Standard
1	209170001	Front Upper Left Swing Arm
2	209170002	Protective Board, Front Swing Arm
3	106170023	Six-Angle Flange Bolt M6×16
4	209170004	Front Upper Right Swing Arm
5	209170005	Front Ball Joint
6	209170006	Circlip D=30
7	209170007	Front Lower Left Swing Arm
8	209170008	Front Lower Right Swing Arm
9	207170004	Middle Rubber Tube, Swing Arm
10	207170005	Six-Angle Flange Bolt M10×1.25×70
11	209170011	Six-Angle Lock Nut M10 ×1.25
12	207170008	Washer, Swing Arm



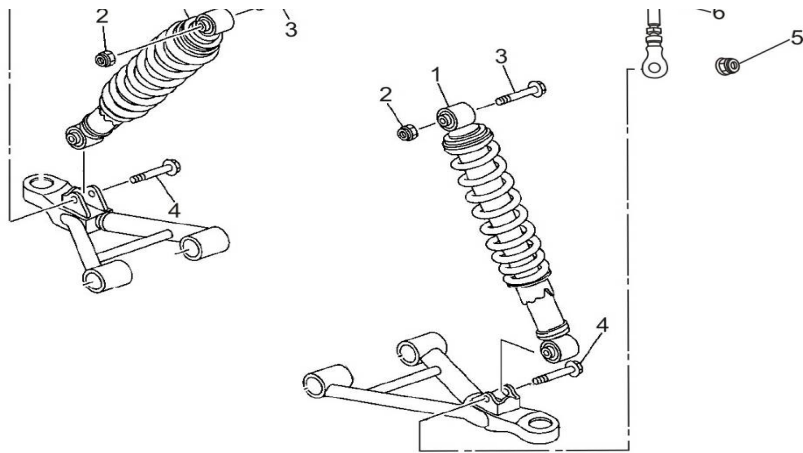
13	209170013	Six-Angle Flange Nut M10×1.25
14	209170014	Pin 3.2×20
15	209170015	Front Upper Right Swing Arm Assy
16	209170016	Front Upper Left Swing Arm Assy
17	209170017	Front Lower Right Swing Arm Assy
18	209170018	Front Lower Left Swing Arm Assy
19	203170012	Nut Clip M6

FIG.210

10、 Front Suspension



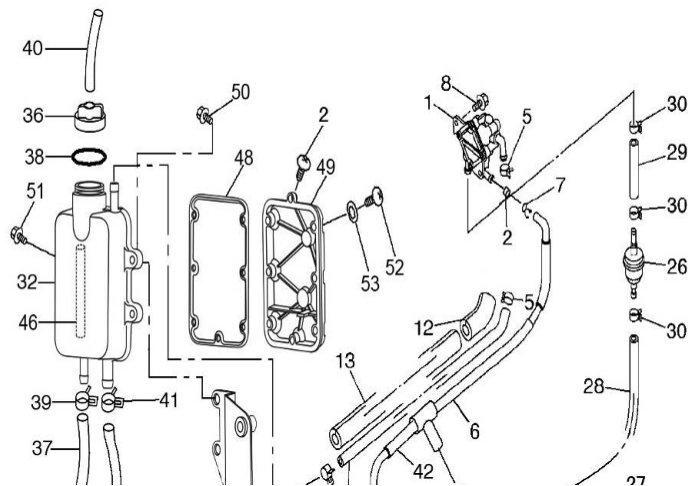
S/N	Parts Number	Part Name And Standard
1	210170001	Shock Absorb Canister (White)
1	210170001	Shock Absorber Canister (Black)
1	210170001	Shock Absorber Canister (Grey)
2	210170002	Nut M10×1.25
3	210170003	Six-Angle Flange Bolt M10×1.25×52
4	210170003	Six-Angle Flange Bolt M10×1.25×52
5	210170002	Nut M10×1.25
6	210170006	Balancing Bar Shaft
7	210170007	Six-Angle Flange Bolt M8×25



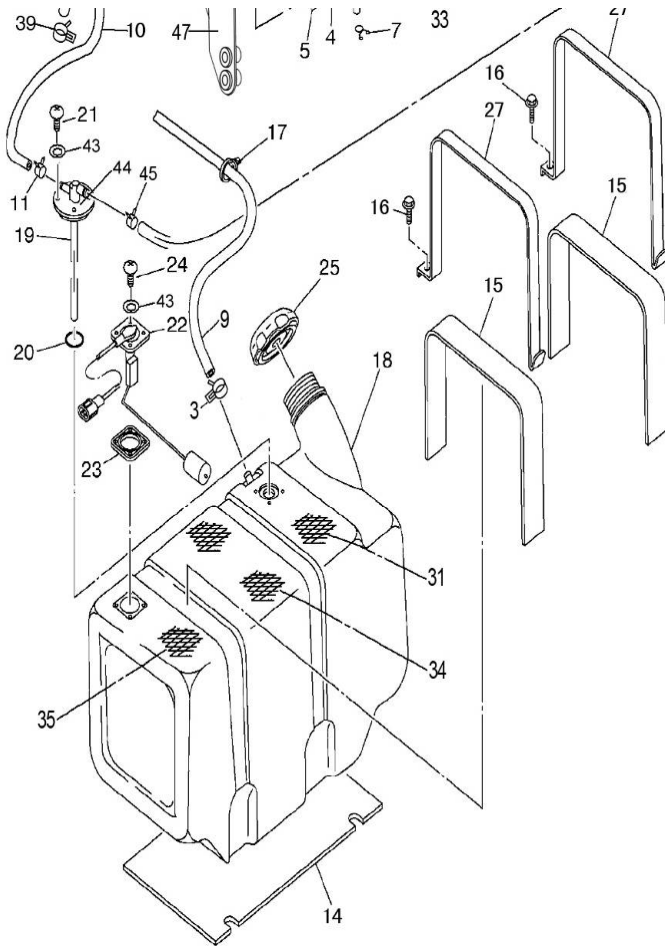
8	210170008	Nut M8
9	208170009	Balancing Bar Rubber Boot
10	208170010	Balancing Bar Holder
11	201170010	Six-Angle Flange Bolt M8×16
12	210170012	Front Balancing Bar

FIG.211

11、 Fuel Tank



S/N	Parts Number	Part Name And Standard
1	211170001	Fuel Pump
2	211170002	Screw M4×12
3	211170003	Tube Clip Φ10
4	211170004	Outlet Vitta Φ6×Φ9×310, Small Fuel Tank
5	211170005	Clip Φ9
6	211170006	Vacuum Pump Pipe
7	211170005	Clip Φ9
8	106170023	Six-Angle Flange Bolt M6×16
9	211170009	Ventilate Tubeφ7×Φ11
10	211170010	Inlet Vitta Φ7×Φ12×630, Small Fuel Tank
11	211170003	Clip Φ 10



12	211170012	Short Foam Cover
13	211170013	Long Foam Cover
14	211170014	Fuel Tank Rubber Cushion
15	211170015	Foam Strip
16	210170007	Flange Bolt M8×25
17	205170046	Line Clip Φ19
18	211170018	Fuel Tank
19	211170019	Inhale Vitta
20	211170020	O-Ring
21	211170021	Screw M5X10
22	211170022	Fuel Sensor
23	211170023	Cushion
24	211170024	Screw M5×10
25	211170025	Fuel Tank Lid
26	211170026	Oil Filter Assy
27	211170027	Hold-Down Plate
28	211170028	Outlet Fuel Pipe Φ5.5×Φ12
29	211170029	Inlet Vitta,Fuel Pump Φ5.5×Φ12×70
30	205170045	Clip Φ12
31	211170031	Heat Insulation Foil I
32	211170032	Small Fuel Tank
33	211170033	Trifurcate Tubeφ3
34	211170034	Heat Insulation Foil II
35	211170035	Heat Insulation Foil III
36	211170036	Cap,Small Fuel Tank

37	211170019	Inlet Vitta $\phi 8 \times \phi 15 \times 400$, Carburetor
38	211170038	O- Seal Ring, Small Fuel Tank
39	205170045	Clip $\phi 12$
40	211170040	Ventilate Tube, Small Fuel Tank $\phi 4.5 \times \phi 8 \times 380$
41	205170045	Clip $\phi 12$
42	211170042	Vacuum Pipe $I\phi 4 \times \phi 10$, Negative Pumper
43	211170043	Washer $\phi 5$
44	211170044	Outlet Vitta Pipe Holder
45	211170045	Clip $\phi 14$
46	211170046	Reflux Pipe
47	211170047	Pump Holder
48	211170048	Seal Ring, Reserve Oil Tank
49	211170049	Reserve Oil Tank
50	106170023	Six-Angle Flange Bolt $M6 \times 16$
51	211170051	Six-Angle Flange Bolt $M8 \times 8$
52	211170052	Screw $M4 \times 16$
53	211170053	Circlip $\phi 4$

FIG.212



12、 Steering Wheel Parts

S/N	Parts Number	Part Name And Standard
1	212170001	Steering Machine Parts
2	212170002	Drive Gear Wheel
3	212170003	Steering Wheel Component
4	212170004	Gasket

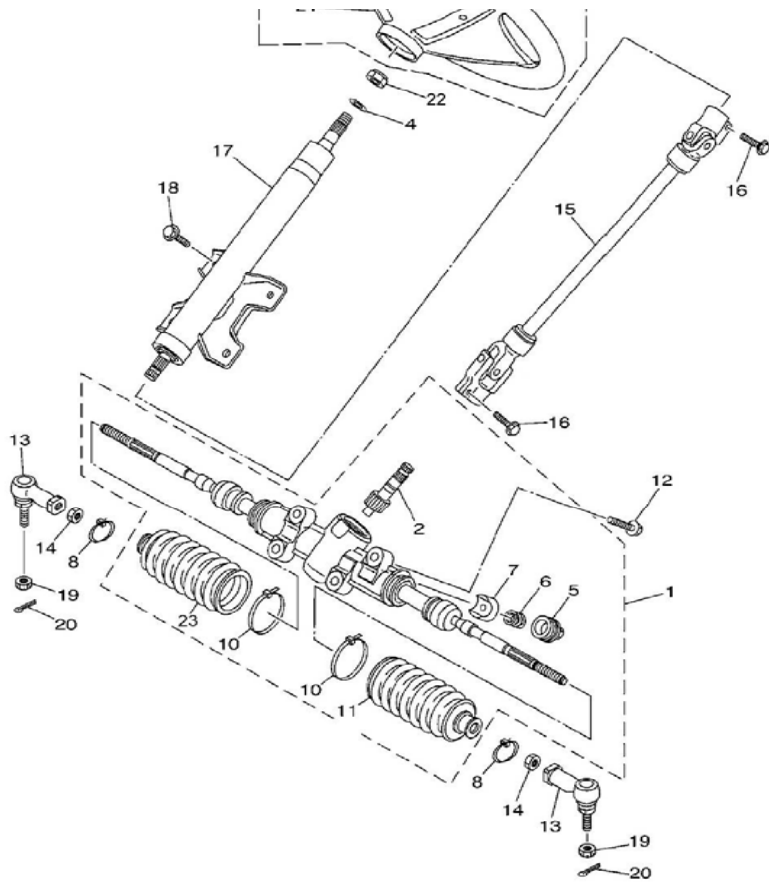


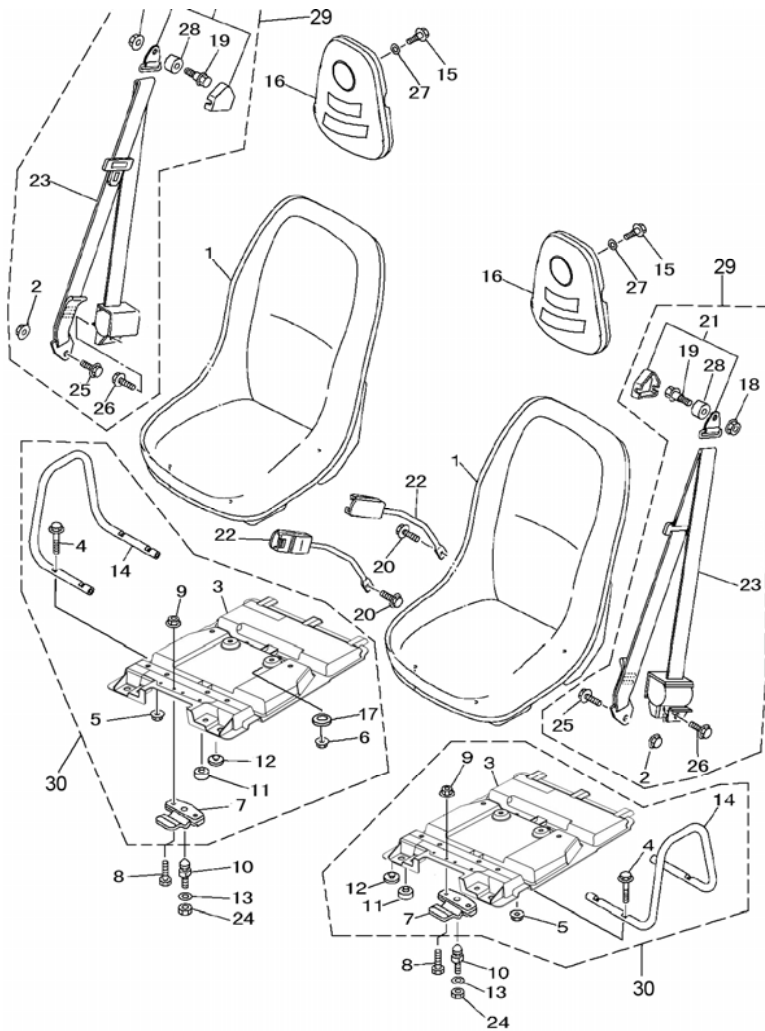
FIG.213

18 21

5	212170005	Adjuster Cap
6	212170006	Spring
7	212170007	Washer
8	212170008	Clamp L=120
9	212170009	Plastic Cover
10	212170010	Clamp L=300
11	212170011	Left Rubber Cover
12	212170012	Six-Angle Flange Bolt M10×1.25×30
13	212170013	Tie Rod End,Steering Machine
14	212170014	Lock Nut,Rod M10
15	212170015	Steering Shaft
16	212170016	Six-Angle Flange Bolt M8×20
17	212170017	Steering Column
18	201170010	Six-Angle Flange Bolt M8×16
19	212170019	Notch Nut M12
20	212170020	Pin 3.2X32
21	212170021	Steering Wheel
22	212170022	Flange Nut M12×1.25
23	212170023	Right Rubber Boot

13、 Seat

S/N	Parts Number	Part Name And Standard
1	213170001	Single Seat Aasy

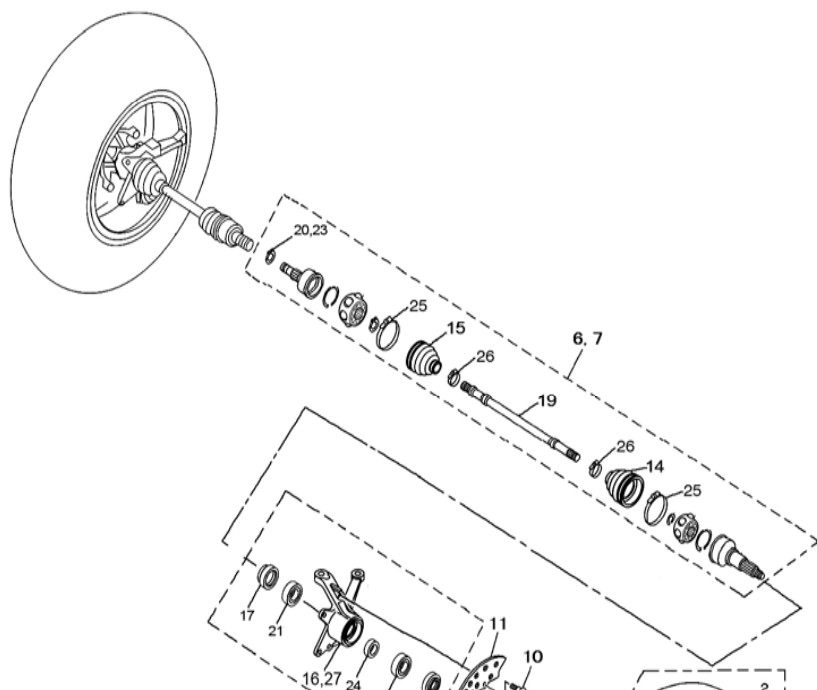


2	213170002	Nut M10
3	213170003	Seat Mount Board
4	109170005	Six-Angle Flange Bolt M8×30
5	213170005	Six-Angle Flange Lock Nut M8
6	202170046	Six-Angle Flangelock Nut M6
7	213170007	Lock Hook Parts, Seat
8	213170008	Six-Angle Flange Bolt M6×38
9	202170046	Six-Angle Flange Lock Nut M6
10	213170010	Locker, Seat
11	213170011	Thick Rubber Cushion, Mount Board
12	213170012	Thin Rubber Cushion, Mount Board
13	213170013	Bushingφ10
14	213170014	Side Armrest
15	107170022	Six-Angle Flange Bolt M6×25
16	213170016	Head Rest
17	205170044	Cushion φ10
18	202170005	Flange Nut M10×1.25
19	202170038	Flange Bolt M10×25-φ14×5
20	213170020	Bolt M10×1.25×20
21	213170021	Safety Belt Buckle Cover
22	213170022	Safety Belt Buckle
23	213170023	Safety Belt Assy
24	209170011	Nut M10×1.25
25	213170025	Six-Angle Flange Bolt M10×1.25×20
26	213170025	Flange Bolt M10×1.25×20

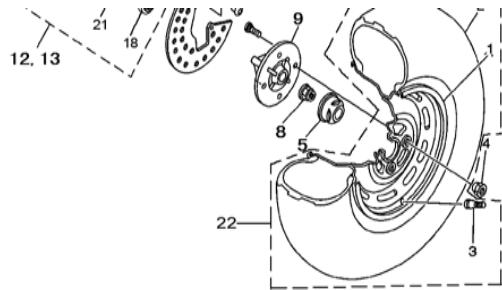
27	201170008	Washhorø6
28	213170028	Safety Belt Bushing
29	213170029	Safety Belt Component
30	213170030	Seat Holder Assy

FIG.214

14、 Front Wheel



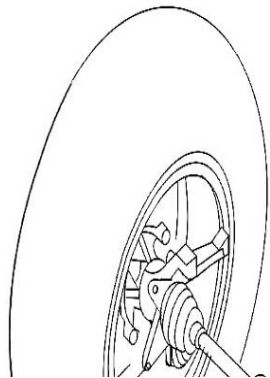
S/N	Parts Number	Part Name And Standard
1	214170001	F107 Front Steel Wheel
2	214170002	Front Tyre 25×8-12
3	214170003	Valve Stem
4	214170004	Nut M10×1.25
5	214170005	Z106 Center CapsIII
6	214170006	Left-C.V. Axle, Front Bridge
7	214170007	Right-C.V. Axle, Rear Bridge
8	214170008	Nut M22×1.5
9	214170009	Front Hub
10	214170010	Screw M6×12
11	214170011	Protecting Cover,Front Brake
12	214170012	Front Left Steering Knuckle Assy
13	214170013	Front Right Steering Knuckle Assy
14	214170014	Rubber Dust-Pshed C-1610, Front Driven Shaft Inner
15	214170015	Rubber Dust-Pshed C-1605, Front Driven Shaft Outer
16	214170016	Front Steering Knuckle
17	214170017	Inner Oil Seal, Front Steering Knuckle



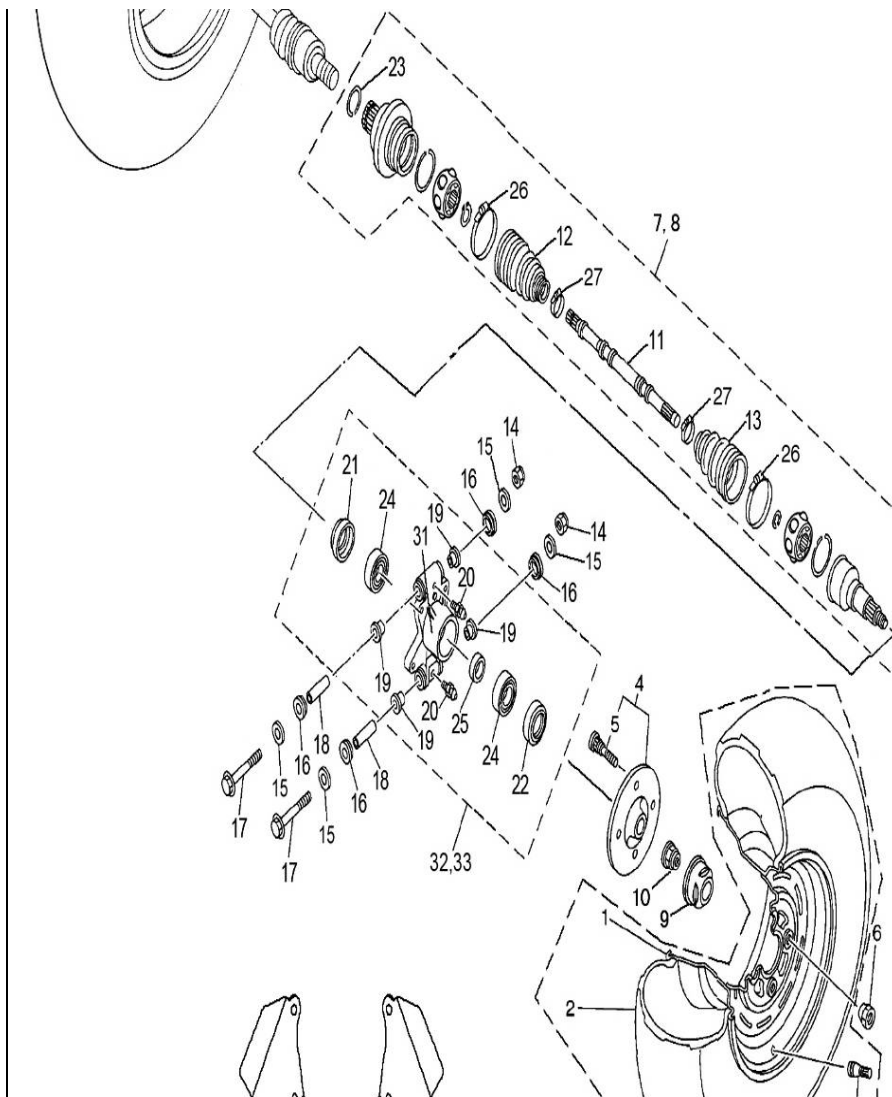
18	214170018	Outeroil Seal, Front Steering Knuckle
19	214170019	Middle Driven Shaft, Front Wheel
20	214170020	Spring Ring, Front-C.V. Axle
21	214170021	Bearing 6006
22	214170022	Front Wheel Assy
23	214170020	Spring Ring, Front-C.V. Axle
24	214170024	Inner Tube, Front Steering Knuckle
25	214170025	Outer Dust-Pshed Clamp, C.V. Axle
26	214170026	Inner Dust-Pshed Clamp, C.V. Axle
27	214170027	Front Steering Knuckle Assy

FIG.215

15、 Rear Wheel



S/N	Parts Number	Part Name And Standard
1	215170001	R107 Rear Steel Wheel
2	215170002	Rear Tyre 25×10-12
3	215170003	Valve Stem
4	215170004	Rear Hub
5	215170005	Wheel Stud M10×30
6	214170004	Nut M10×1.25
7	215170007	Left-C.V. Axle
8	215170008	Right-C.V. Axle
9	214170005	Center CapsIII
10	214170008	Nut M22×1.5



11	215170011	Middle Driven Shaft ,Rear Bridge
12	215170012	Inner Rubber Boot C-1610, Rear Driven Shaft
13	215170013	Outer Rubber Boot C-1605 , Rear Driven Shaft
14	215170014	Six-Angle Flange Bolt M10×1.25
15	206170030	Cushion Φ10
16	215170016	Rubber Boot, Rear Steering Knuckle
17	207170005	Six-Angle Flange Bolt M10×1.25×70
18	215170018	Shaft Tube Liner, Rear Steering Knuckle
19	215170019	Shaft Tube, Rear Steering Knuckle
20	215170020	Refueling Nozzle
21	215170021	Inner Oil Seal , Rear Steering Knuckle
22	215170022	Outer Oil Seal, Rear Steering Knuckle
23	215170023	Circlip φ40
24	215170024	Bearing 6206
25	215170025	Inner Tube,Rear Steering Knuckle
26	215170026	Outer Clamp, C.V. Axle
27	215170027	Inner Clamp, C.V. Axle
28	215170028	Protective Board,Left Rear Steering Knuckle
29	215170029	Protective Board,Right Rear Steering Knuckle
30	215170030	Rear Wheel Assy
31	215170031	Rear Steering Knuckle Body
32	215170032	Rear Steering Knuckle
33	215170033	Rear Steering Knuckle Assy

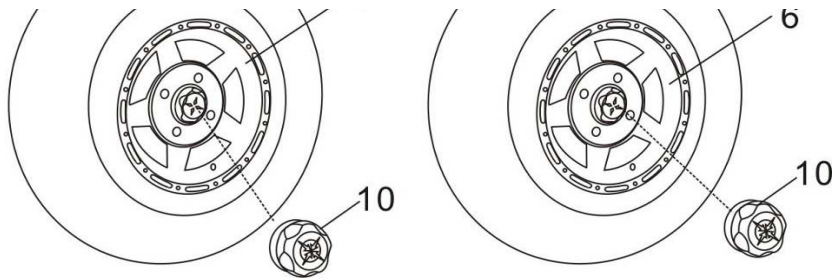
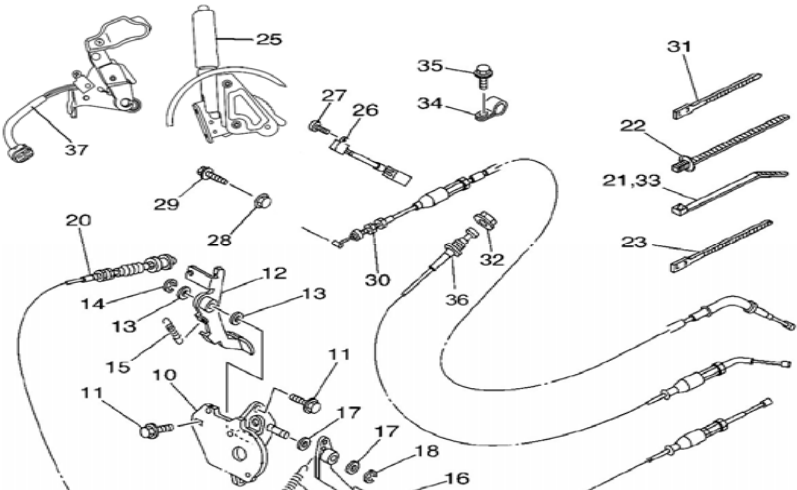
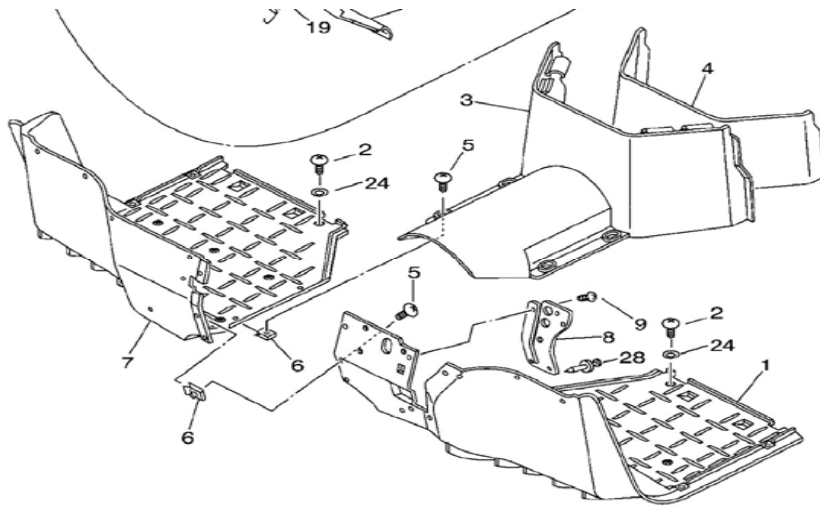


FIG.217



17、Footrest

S/N	Parts Number	Part Name And Standard
1	217170001	Left Footrest
2	204170002	Screw
3	217170003	Center Protective Board
4	217170004	Center Protective Board, Insulator
5	203170015	Screw M6×20
6	217170006	Whorl Clip M6
7	217170007	Right Footrest
8	217170008	Footplate Rubber
9	217170009	Screw
10	217170010	Rear Brake Pump Bracket Assy
11	202170048	Flange Bolt M8×12
12	217170012	Accelerator Pedal Assy



13	217170013	Washer
14	217170014	Return Spring, Accelerator Pedal
15	217170015	Spring
16	217170016	Rear Brake Pedal
17	217170017	Washer
18	217170014	Cotter Clip
19	217170019	Return Spring, Rear Brake Pedal
20	217170020	Throttle Cable
21	217170021	Belt 7 (L=200)
22	217170022	Belt 4 (L=150)
23	217170021	Belt 3 (L=200)
24	217170024	Cushion $\Phi 5$
25	217170025	Parking Control Assy (lever handle style)
26	217170026	Park Indicator Switch
27	201170009	Six-Angle Flange Bolt M6 \times 12
28	217170028	Bolt , Parking Handle Grip
29	106170024	Flange Bolt M6X20
30	217170030	Parking Cable Component
31	217170022	Tie Strap 1 (L=150)
32	217170032	Nut, Choke Cable
33	217170021	Tie Strap 7 (L=200)
34	217170034	Cable Clip
35	201170009	Flange Bolt M6X10
36	217170036	Choke Cable
37	217170037	Parking Control Assy (finger pull style)

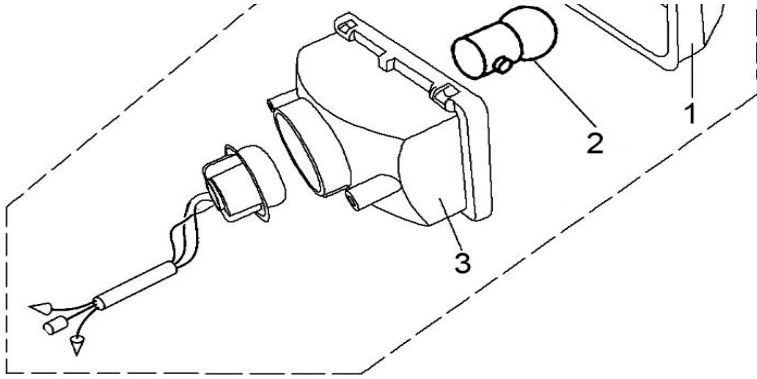
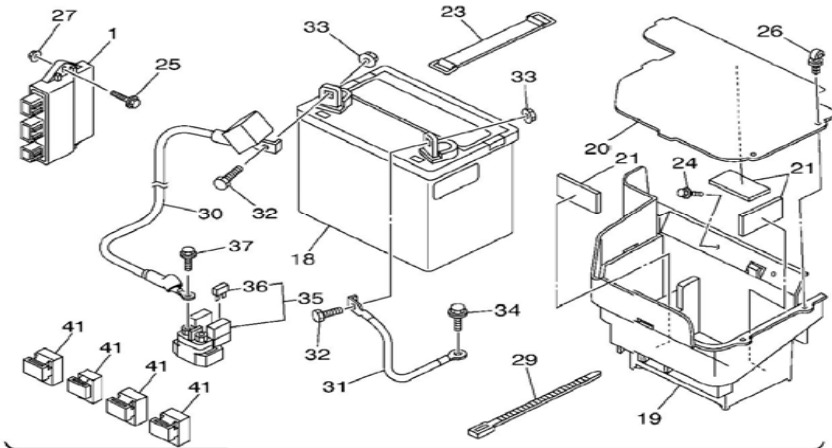
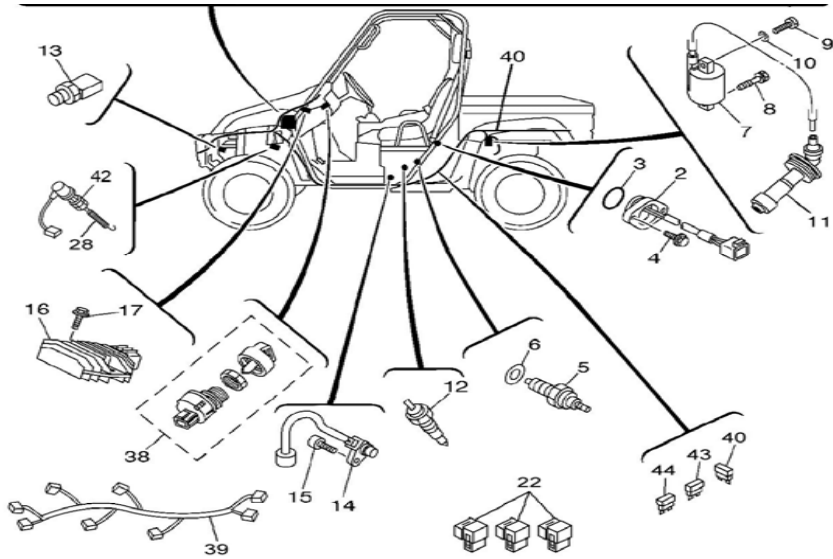


FIG.221

21、Electrical Parts 1



S/N	Parts Number	Part Name And Standard
1	221170001	CDI Unit
2	221170002	Gear Shift Assy
3	106170036	O Ring Φ30
4	106170023	Boltm6×16
5	221170005	Reverse Sensor
6	206170030	Washer Φ10
7	221170007	Ignition Coil
8	221170008	Bolt M6×20
9	221170008	Bolt M6×20
10	206170030	Washerφ10
11	221170011	High-V Unit

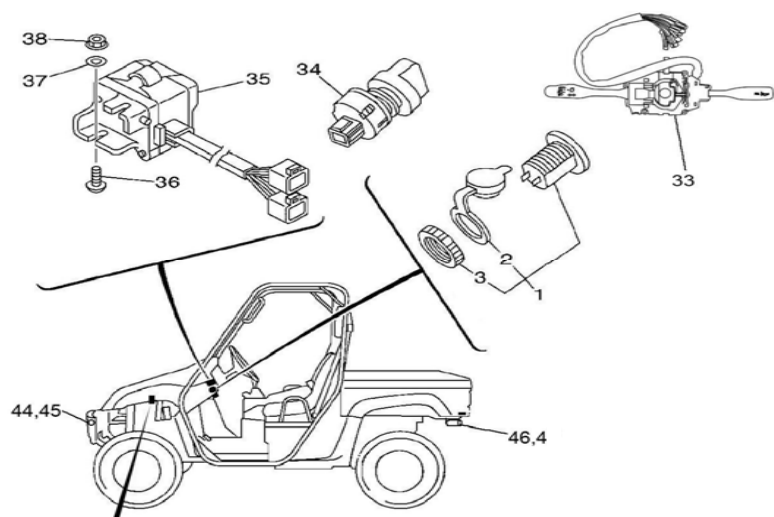


12	221170012	Temperature Sensor
13	221170013	Water Cooler Sensor
14	221170014	Speedometer Sensor
15	221170015	Bolt M6×16
16	221170016	Voltage Regulator
17	106170024	Bolt M6×20
18	221170018	Battery 12V32Ah
19 ²	221170019	Battery Box
20	221170020	Battery Cover
21	221170021	Cushion
22	221170022	Auxiliary Relay - with 5 plugs
23	221170023	Battery Strap
24	106170023	Bolt M6×16
25	221170015	Flange M6×20
26	221170015	Phillip Screw M6X16
27	221170027	Flange Nut
28	221170028	Return Spring , Rear Stop Light
29	217170021	Tie Strap 2 (L=200)
30	221170030	Positive Battery Cable
31	221170031	Negative Battery Cable
32	221170008	Flange M6×20
33	221170027	Flange Nut
34	221170008	Bolt M6×20
35	221170035	Starting Relay
36	221170036	Fuse (30A-B1)

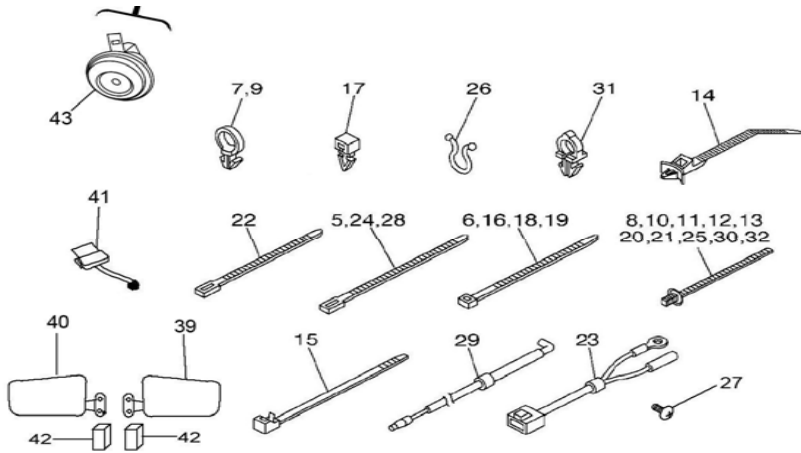
37	221170008	Bolt M6×20
38	221170038	Ignition Switch Assembled
39	221170039	Wire Harness
40	221170040	Fuse (5A-BI)
41	221170041	Breaker Assy - with 4 plugs
42	221170042	Brake Switch Assy
43	221170043	Fuse(10A-BI)
44	221170044	Fuse(15A-BI)

FIG.222

22、 electrical parts 2



S/N	Parts Number	Part Name And Standard
1	222170001	Auxiliary DC Socket
2	222170002	Auxiliary DC Jack Cover
3	222170003	Nut, Auxiliary Dc Jack Cover
4	222170004	Rear Right Turning Indicator(Square)
5	217170021	Tie Strap 2 (L=200)
6	217170021	Tie Strap 3 (L=200)
7	222170007	Clip Φ25
8	217170022	Tie Strap 4 (L=150)
9	222170007	Clip Φ25
10	217170022	Tie Strap 4 (L=150)
11	217170022	Tie Strap 4 (L=150)
12	217170022	Tie Strap 4 (L=150)

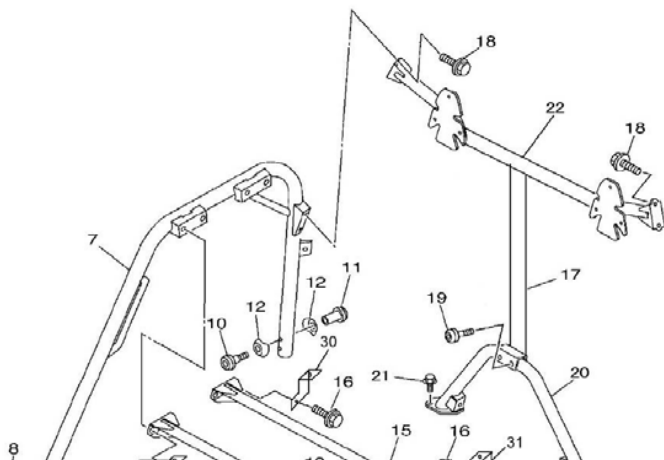


13	217170022	Tie Strap 4 (L=150)
14	217170021	Tie Strap 5 (L=200)
15	217170021	Tie Strap 6 (L=200)
16	217170021	Tie Strap 3 (L=200)
17	205170046	Clip $\Phi 9$
18	217170021	Tie Strap 3 (L=200)
19	217170021	Tie Strap 3 (L=200)
20	217170022	Tie Strap 4 (L=150)
21	217170022	Tie Strap 4 (L=150)
22	217170022	Tie Strap 1 (L=150)
23	222170023	High Performance Coil Link
24	217170021	Tie Strap2 (L=200)
25	217170022	Tie Strap 4 (L=150)
26	222170026	Clip $\Phi 17$
27	222170027	Bolt M6 \times 30
28	217170021	Tie Strap 2 (L=200)
29	222170029	Cable Conductor
30	217170022	Tie Strap 4 (L=150)
31	222170031	Clip $\Phi 19$
32	217170022	Tie Strap 4 (L=150)
33	222170033	E-Mark Light Switch
34	222170034	Epa Light Switch
35	222170035	Tow/Four Drive Switch
36	201170009	Flange Bolt M6X12
37	222170037	Washer ϕ 6.5

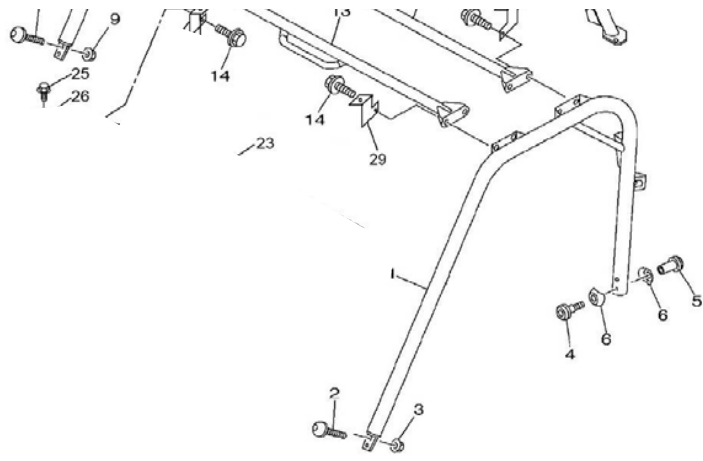
38	222170038	Flange Nut
39	222170039	Mirror R
40	222170040	Rearview Mirror (L)
41	222170041	Flasher Relay
42	222170042	Rearview Mirror Stand
43	222170043	Horn Assy
44	222170044	Front Left Turning Indicator
45	222170045	Front Right Turning Indicator
46	222170046	Rear Left Turning Indicator (Round)
46	222170046	Rear Left Turning Indicator (Square)
47	222170047	Rear Right Turning Indicator (Round)

FIG.223

23、 Head Shed Frame



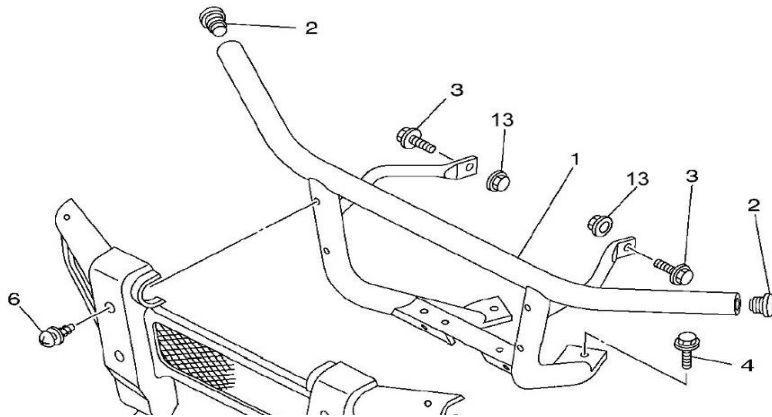
S/N	Parts Number	Part Name And Standard
1	223170001	Left Main Pipe Assy, Shed
2	223170002	Bolt M10×1.25×45
3	223170003	Nut M10
4	223170004	M8×38-Φ10×16
5	223170005	Inner Six-Angle Nut M8×25
6	223170006	Washer
7	223170007	Right Main Pipe Assy, Shed
8	223170002	Bolt M10×1.25×45
9	223170003	Nut M10
10	223170004	M8×38-Φ10×16



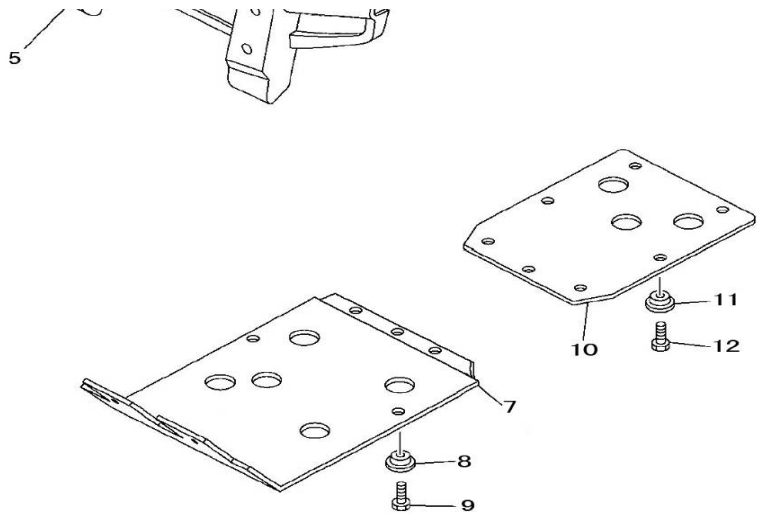
11	223170005	Inner Six-Angle Nut M8×25
12	223170006	Washer
13	223170013	Front Cross Bar I
14	213170020	Bolt M10×1.25×20
15	223170015	Front Cross Bar II
16	213170020	Bolt M10×1.25×20
17	223170017	Headrest Main Support
18	213170020	Hexagon Flange Bolt M10×1.25×20
19	213170020	Hexagon Flange Bolt M10×1.25×20
20	223170020	Headrest Lower Support Bracket
21	223170021	Hexagon Flange Bolt M10×1.25×20
22	223170022	Headrest Support

FIG.224

24、 Bumper



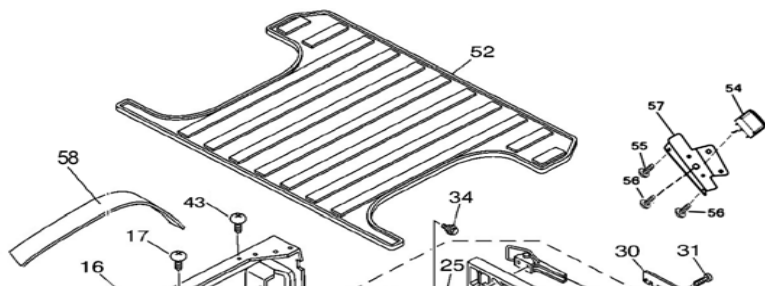
S/N	Parts Number	Part Name And Standard
1	224170001	Front Bumper Assembled
2	224170002	Block Head,Front Bumper
3	213170025	Flange Bolt M10×1.25×20
4	224170004	Six-Angle Flange Bolt M12×1.25×25
5	224170005	Front Bumper Cover
6	204170002	Bolt With Washer M6×16
7	224170007	Front Bumper Board
8	224170008	Washer 1
9	106170023	Flange Bolt M6X16



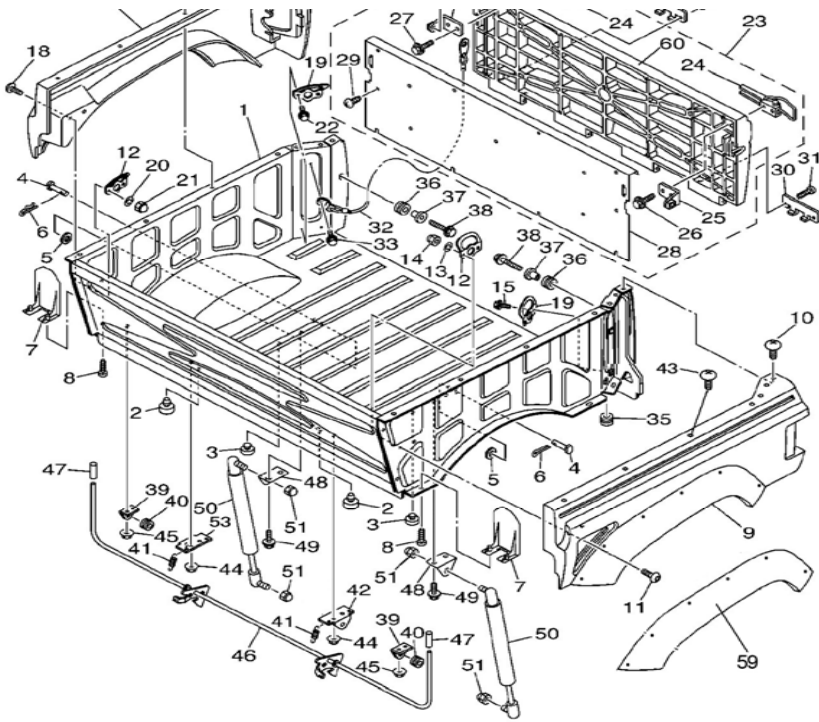
10	224170010	Frame Protective Board
11	224170008	Washer 2
12	106170023	Flange Bolt M6X16
13	224170013	Screw M10

FIG.225

25、 Carrier



S/N	Parts Number	Part Name And Standard
1	225170001	Rear Carrier Parts
2	202170042	Rubber Cushion (Round)
3	225170003	Rubber Thick Gasket (Square)
4	225170004	Clevis Pin $\Phi 12 \times 62$
5	225170005	Cargo Bed Shock Absorber Cushion
6	225170006	Pin $\phi 2.5 \times 25$
7	225170007	Protecting Board, Handel Grip
8	201170009	Bolt $m6 \times 12$



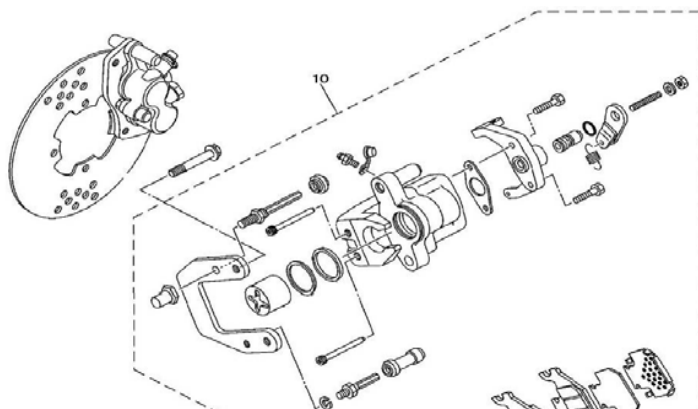
9	225170009	Left Cargo Bed Decoration Panel (Red)
9	225170009	Left Cargo Bed Decoration Panel (Black)
9	225170009	Left Cargo Bed Decoration Panel (Dark Green)
9	225170009	Left Cargo Bed Decoration Panel (Green Camouflage)
9	225170009	Left Cargo Bed Decoration Panel (Maple Leaf)
9	225170009	Left Cargo Bed Decoration Panel (Silvery)
10	204170006	Screw
11	204170002	Bolt M6×16
12	225170012	Drawstring Pothook
13	225170013	Spring Washer Φ6
14	203170007	Cap Nut
15	106170023	Flange Bolt M6×16
16	225170016	Right Cargo Bed Decoration Panel (Red)
16	225170016	Right Cargo Bed Decoration Panel (Black)
16	225170016	Right Cargo Bed Decoration Panel (Dark Green)
16	225170016	Right Cargo Bed Decoration Panel (Green Camouflage)
16	225170016	Right Cargo Bed Decoration Panel (Maple Leaf)
16	225170016	Right Cargo Bed Decoration Panel (Silivery)
17	204170006	Screw
18	204170002	Bolt M6×16
19	225170012	Drawstring Pothook
20	204170002	Bolt M6×16
21	203170007	Cap Nut
22	106170023	Flange Bolt M6×16
23	225170023	Carrier Door Parts

24	225170024	Cargo Bed Tailgate Comp.
25	225170025	Hook
26	106170024	Flange Bolt M6×20
27	106170024	Flange Bolt M6×20
28	225170028	Cargo Bed Tailgate Board
29	204170002	Screw M6×16
30	225170030	Pulling Board, Cargo Bed Tailgate
31	203170017	Screwst4.2×13
32	225170032	Cargo Bed Tailgate Cable
33	107170022	Bolt M6×25
34	225170034	Blot M6×12-Φ10×4
35	225170035	Carrier Shock Absorberer Cushion
36	225170036	Carrier Door Position-Hold Rubber Ring
37	225170037	Bush
38	106170005	Flange Bolt M6×40
39	225170039	Dump Bracket Holder
40	225170040	Dump Bracket Shock Absorber Rubber Ring
41	225170041	Spring
42	225170042	Dump Bracket Left Mount Board
43	203170015	Cross Screw M6×20
44	225170044	Flange Nut M8
45	221170027	Flange Nut M6
46	225170046	Dump Bracket Assy
47	225170047	Dump Bracket Rubber Sheath
48	225170048	Bracker, Buffler

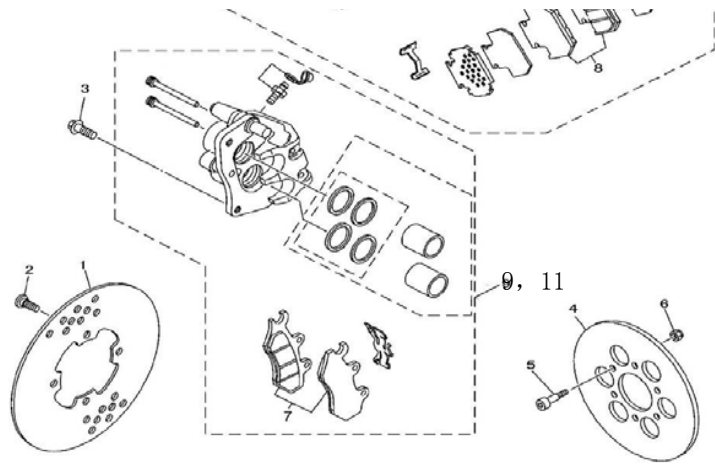
49	107170022	Flange Bolt M6×25
50	225170050	Spring
51	208170008	Nut M8
52	225170052	Rubber Piece,Carrier
53	225170053	Dump Bracket Right Mount Board
54	225170054	License Signal
55	201170009	Flange Bolt M6×12
56	201170010	Flange Bolt M8×16
57	225170057	Number Plate Bracket
58	225170058	Stripe , Carrier Left Board
59	225170059	Stripe , Carrier Right Board
60	225170060	Carrier Tailgate Board

FIG.226

26、 Front Disc Brake Plate(Front/Dual, Rear/Single)



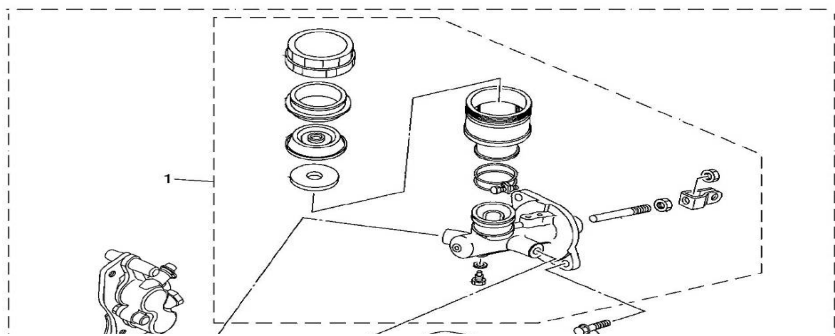
S/N	Parts Number	Part Name And Standard
1	226170001	Front Disc Brake Plate
2	226170002	Construction Bolt, Front Disc Brake Pan
3	226170003	Flange Bolt M10×22
4	226170004	Rear Disc Brake Plate
5	226170005	Bolt M6×29-Φ7×15
6	221170027	Nut M6
7	226170007	Rear Disc Brake Pads
8	226170008	Front Disc Brake Pads
9	226170009	front brake assy



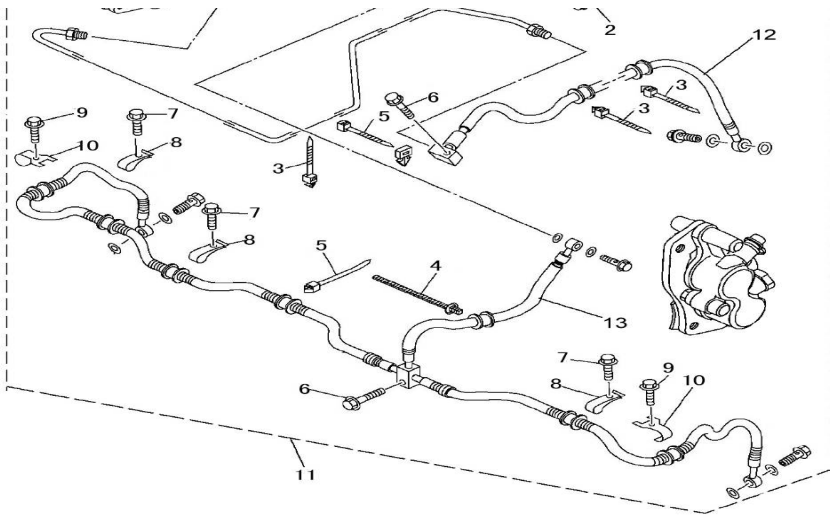
10	226170010	rear brake assy
11	226170011	front brake assy

FIG.227

27、 Rear Disc Brake Parts (Front/Dual, Rear/Single)



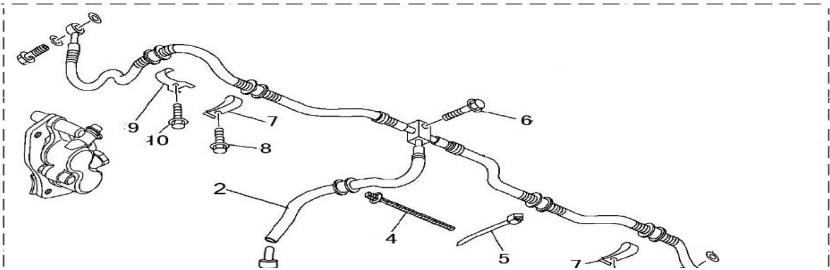
S/N	Parts Number	Part Name And Standard
1	227170001	Main Pumper, Rear Disc Brake
2	106170024	Flange Bolt M6×20
3	217170022	Belt 3
4	217170021	Belt 4
5	217170022	Belt 6
6	106170003	Flange Bolt M6×30
7	106170024	Flange Bolt M6×20
8	227170008	Oil Pipe Clip 1, Front Disc Brake
9	106170024	Flange Bolt M6X20



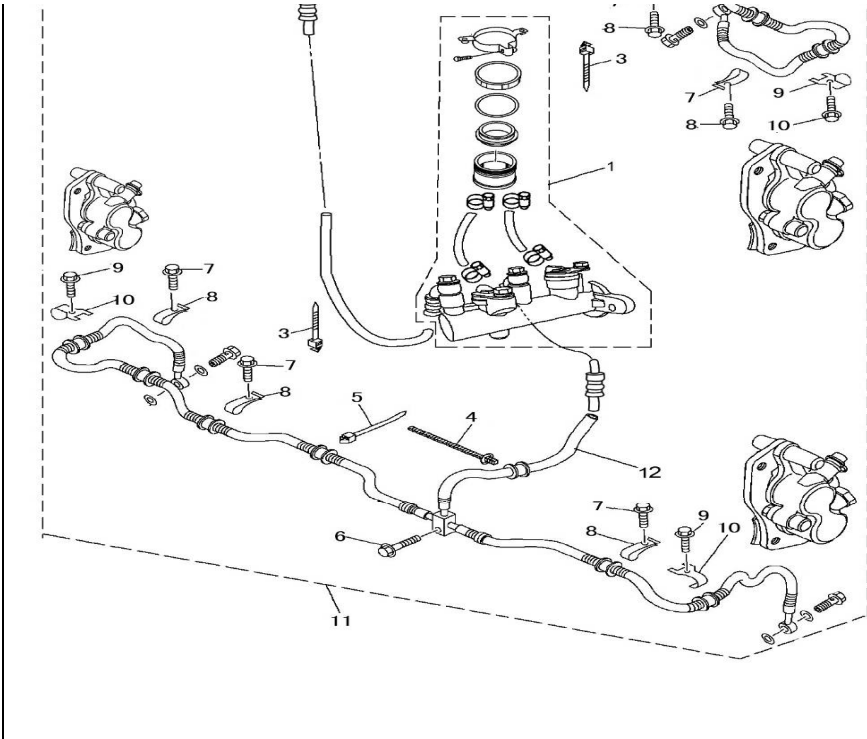
10	227170010	Oil Pipe Clip 2, Front Disc Brake
11	227170011	Disc Brake Assy
12	227170012	Rear Disc Brake Tube Assy
13	227170013	Front Disc Brake Tube Assy

FIG.228

28、 Rear Disc Brake Pparts(Rear/Dual)



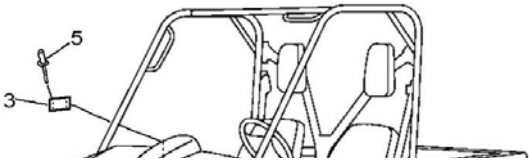
S/N	Parts Number	Part Name And Standard
1	228170001	Main Pumper, Rear Disc Brake
2	228170001	Rear Disc Brake Tube Assy
3	217170022	Belt 3 (L=150)
4	217170021	Belt4 (L=200)
5	217170022	Belt 3 (L=150)
6	106170003	Flange Bolt M6×30
7	106170024	Flange Bolt M6×20
8	228170008	Clip, Front Brake Oil Pipe 1



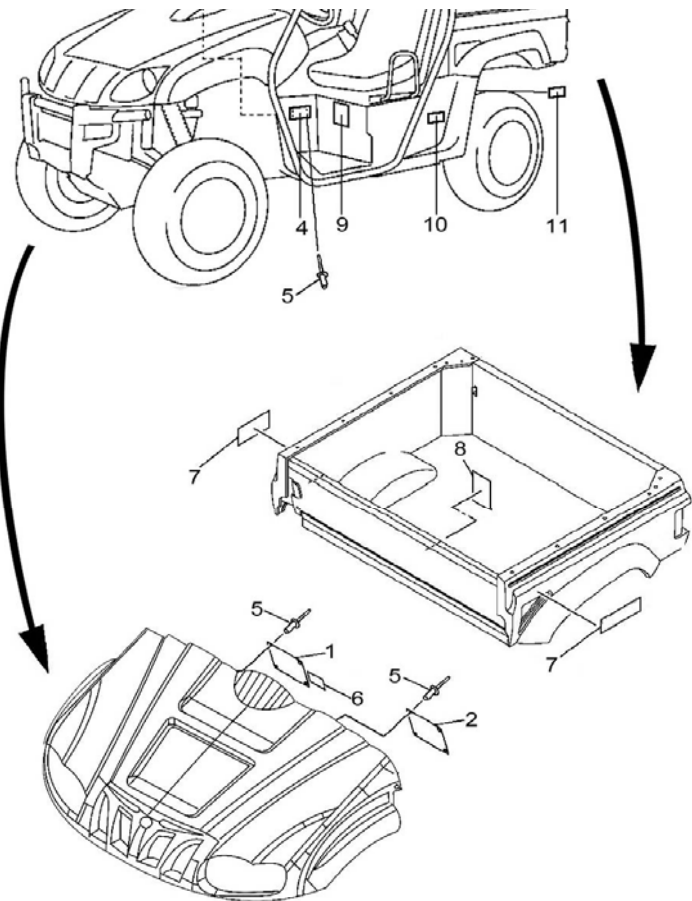
9	106170024	Flange Bolt M6X20
10	228170010	Clip, Front Brake Oil Pipe 2
11	228170011	Four Disc Brake Combination
12	228170013	Front Disc Brake Tube Assy

FIG.229

29、 Sticker Position 1



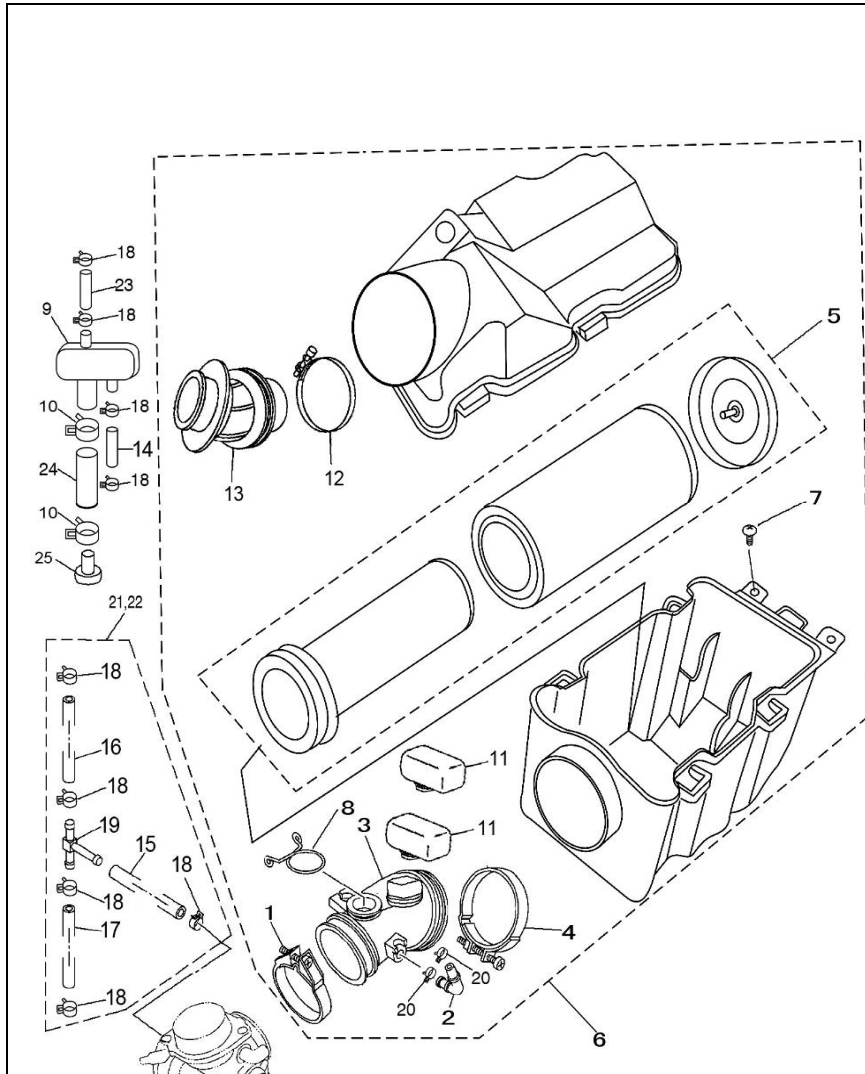
S/N	Parts Number	Part Name And Standard
1	229170001	Warning label 2 (Age Limit)
2	229170002	Warning label 4 (Turning Speed Limit)
3	229170003	Warning label 1 (Caution)
4	229170004	Warning label 3 (Keep Hands And Feet Inside)



5	229170005	Rivet 3.2×11
6	229170006	Sticker1 (Four-Wheel Operation Manual)
7	229170007	Sticker4 (Overturn Warning)
8	229170008	Sticker2 (Loading Instruction)
9	229170009	Sticker5 (Operation Restriction)
10	229170010	Sticker3 (Shed Instruction)
11	229170011	Sticker8 (Tyre Pressure Instruction)

FIG.230

30、 Air Filter Parts

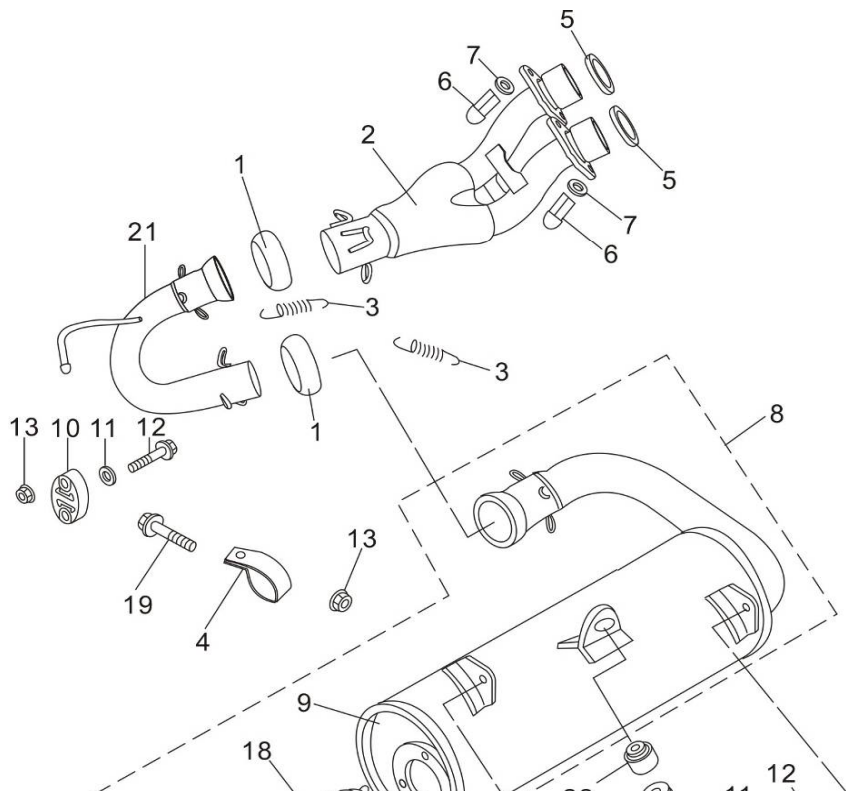


S/N	Parts Number	Part Name And Standard
1	230170001	Inlet Oil Hoop,Carburetor
2	230170002	Balance Pipe $\Phi 11 \times \Phi 15$,Carburator
3	230170003	Inlet Rubber Tube,Air Filter
4	230170004	Inlet Oil Hoop,Carb
5	230170005	Foam Filter Core Parts
6	230170006	Air Filter Parts
7	230170007	Phillip Screw M5×16
8	230170008	Clamp $\Phi 8$
9	230170009	Oil&Air Separator
10	230170010	Clip
11	230170011	Air Inlet Exhauster
12	230170012	Clamp
13	230170013	Primary Air Filter Outlet
14	230170014	Used Oil Collection Pipe
15	230170015	Air Pipe 1 $\Phi 7 \times \Phi 11 \times 90$,Carburator
16	230170016	Air Pipe 2 $\Phi 7 \times \Phi 11 \times 300$,Carburator
17	230170017	Air Pipe 2 $\Phi 7 \times \Phi 11 \times 102$,Carburator
18	205170045	Clip $\Phi 12$
19	211170033	Plastic Trifurcate Connection
20	211170045	Clip $\Phi 14$
21	230170021	Air Pipe Assy,Carburator (Left)
22	230170022	Air Pipe Assy,Carburator(Right)
23	230170023	Air Inlet Pipe,Separator

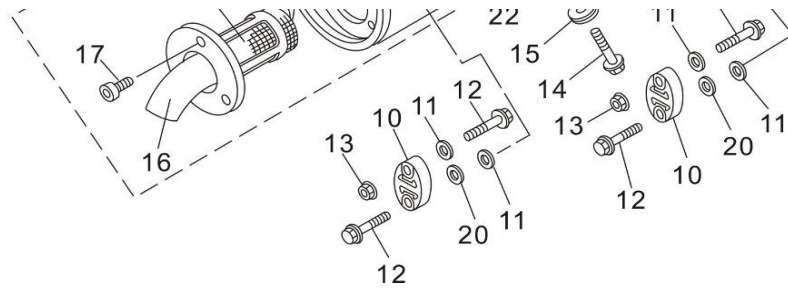


FIG.231

31、 Muffler Parts



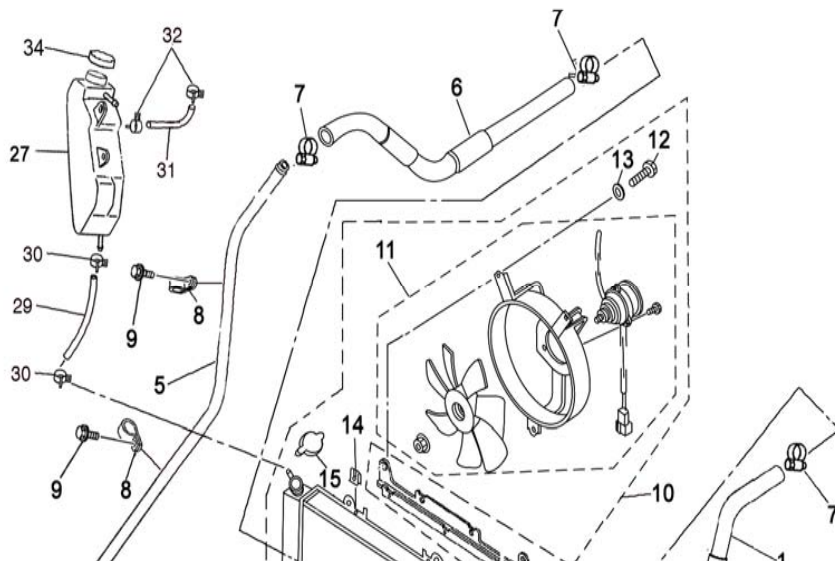
24	230170024	Air Outletpipe, Separetor
25	230170025	Waste Oil Pipe Stock
S/N	Parts Number	Part Name And Standard
1	231170001	Round Seal Washer
2	231170002	Exhaust Pipe
3	231170003	Connect Spring, Exhaust Pipe
4	231170004	Clip
5	231170005	Washer,Vent-Pipe
6	231170006	Longer Nut M8
7	231170007	Washer Φ8
8	231170008	Muffler Tube Assy
9	231170009	Mufflet Tube
10	231170010	Damping Washer,Mufflier
11	205170030	Washerφ8
12	231170012	Bolt M8×20
13	231170013	Nut M8
14	231170012	Blot M8×40
15	231170015	Bush
16	231170016	Afterbody Of Mufflier Exhaust
17	115170004	Bolt M6×10
18	231170018	Fireproofing Net,Muffler



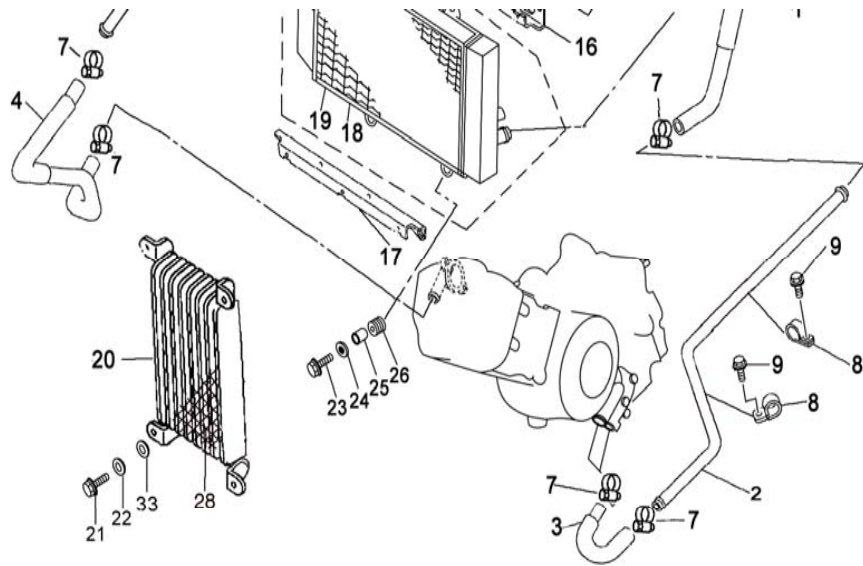
19	231170019	Blot M8X70
20	231170020	Stainless Steel Insulation Cushion
21	231170021	Middle Part Of Muffler
22	231170022	Damping Rubber Boot, Muffler
23	231170023	Muffler Assembly

FIG.232

32、 Water Cooling System



S/N	Parts Number	Part Name And Standard
1	232170001	Right Left Rubber Pipe
2	232170002	Left Front Metal Pipe
3	232170003	Front Left Rubber Pipe
4	232170004	Left Rubber Water Pipe
5	232170005	Right Metal Pipe
6	232170006	Rear Right Rubber Pipe
7	232170007	Pipe Clip
8	232170008	Clip , Oil Pipe
9	201170009	Six-Angle Flange Bolt M6×12
10	232170010	Cooler, Water-Tank
11	232170011	Water-Tank/Fan Assy
12	232170012	Phillip Screw M6×25
13	201170008	Plain Cushion Φ6
14	232170014	Nut Clip

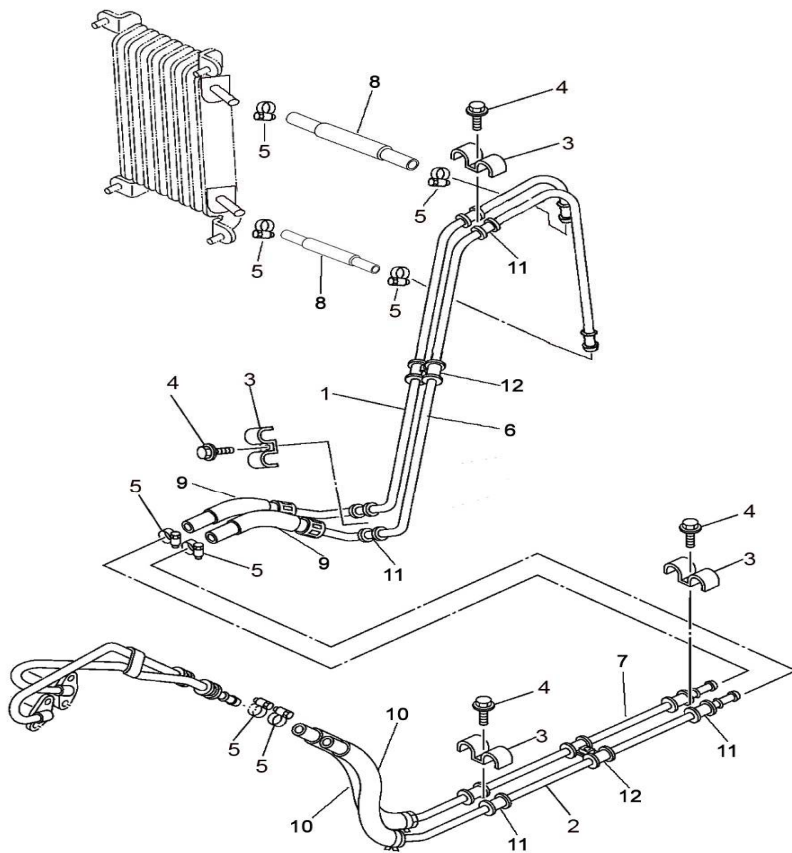


15	232170015	Water Tank Cap
16	232170016	Installation Bracket, Oil Cooler
17	232170017	Oil Cooler Support II
18	232170018	Water Tank Assy
19	232170019	Radiator Cover
20	232170020	Oil Cooler Assy
21	106170024	Six-Angle Flange Bolt M6×20
22	201170008	Plain Cushion Φ6
23	106170024	Boit M6×20
24	201170008	Plain Cushion Φ6
25	232170025	Bush Φ6×8
26	232170026	Rubber Cushion, Water Tank
27	232170027	Standby Water Bottle
28	232170028	Cover, Oil Cooler
29	232170029	Connecting Pipe Φ6×Φ9
30	211170005	Clip Φ9
31	232170031	Overflow Pipe Φ7×Φ12
32	232170032	Clip Φ11
33	225170013	Spring Cushion
34	232170034	Reserve Water Bottle Cap

FIG.233

33、 Oil Cooling System

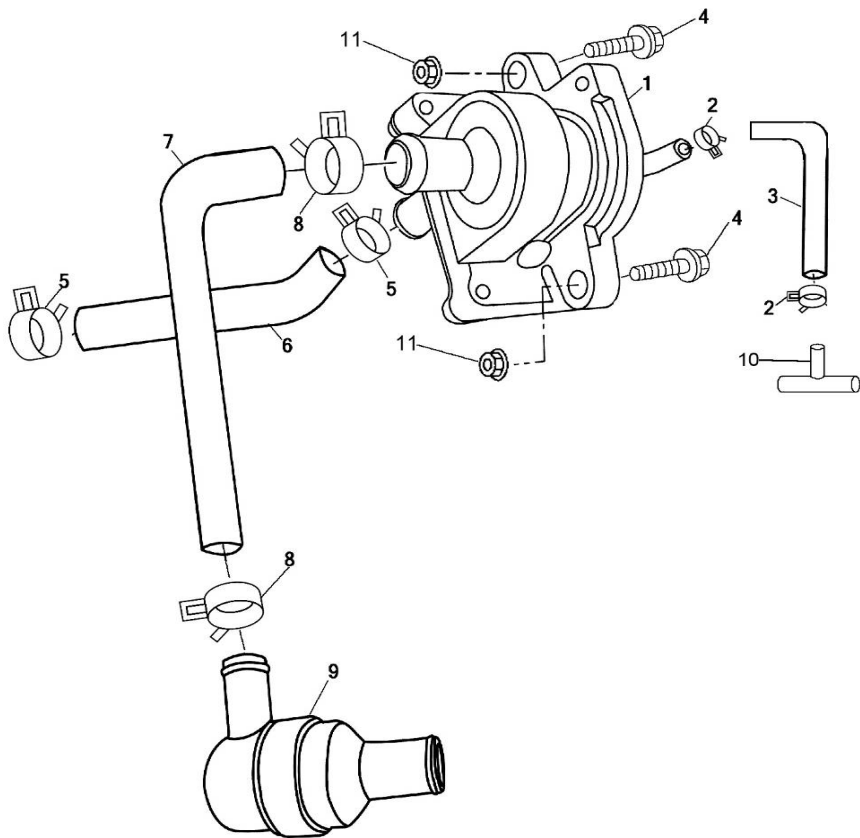
S/N	Parts Number	Part Name And Standard
-----	--------------	------------------------



1	233170001	Left Front Metal Pipe
2	233170002	Right Metal Pipe
3	233170003	Clip , Oil Pipe
4	201170009	Six-Angle Flange Bolt M6X12
5	205170045	Clamp 11-20, Bolt
6	233170006	Right Front Metal Oil Pipe
7	233170007	Left Rear Metal Pipe
8	233170008	Front Compression Resistance Rubber Oil Pipe
9	233170009	Middle Compression Resistance Rubber Oil Pipe
10	233170010	Rear End Rubber Oil Pipe
11	233170011	H-Type Rubber Ringii ,Oil Pipe
12	233170012	H-Type Rubber Ring I ,Oil Pipe

FIG.234

34、 Second Air-Supply Pipe		
S/N	Parts Number	Part Name And Standard
1	234170001	Second Air-Supply Part

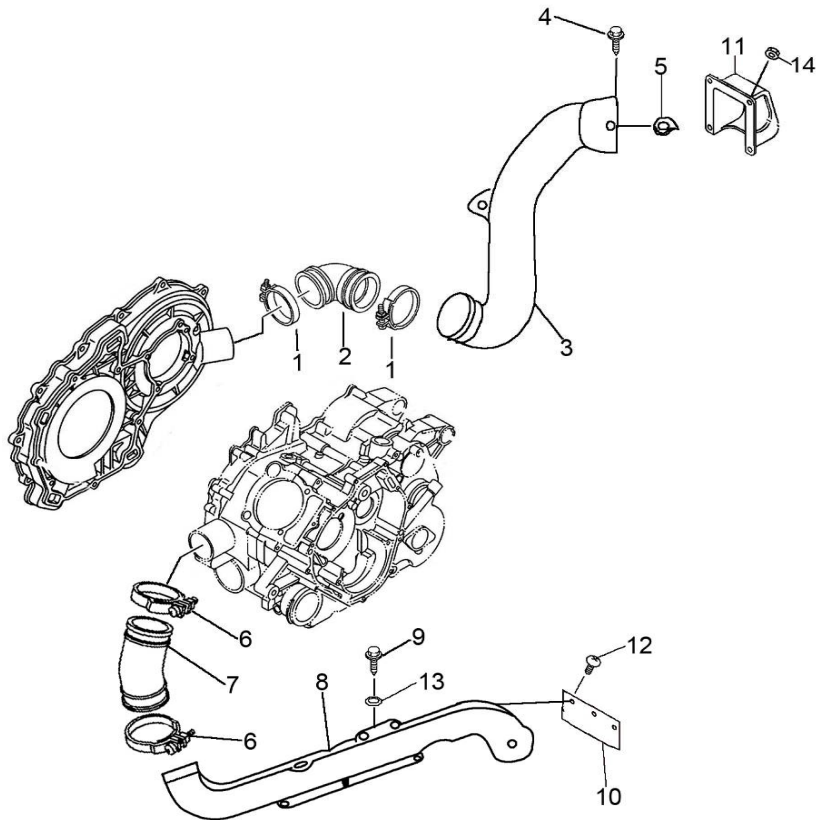


2	234170002	Clanp $\Phi 8$
3	234170003	Bear Press Tube
4	234170004	Bolt M6×16
5	211170045	Clanp $\Phi 14$
6	234170006	High Temperature Tube
7	234170007	Rubber Pipe,Second Inlet Valve
8	234170008	Clanp $\Phi 18$
9	234170009	Gulp Valve Muffler
10	211170033	Y-Pipe ,Oil Pumper Negative Presure Pipe
11	202170046	Flange Nut M6

FIG.235

35、 Crankcase Cover 1

S/N	Parts Number	Part Name And Standard
-----	--------------	------------------------

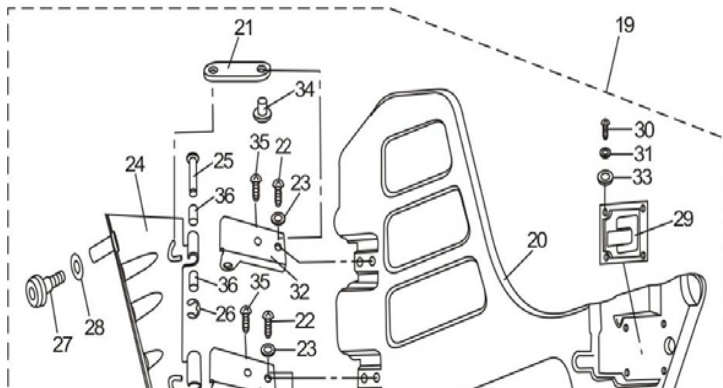
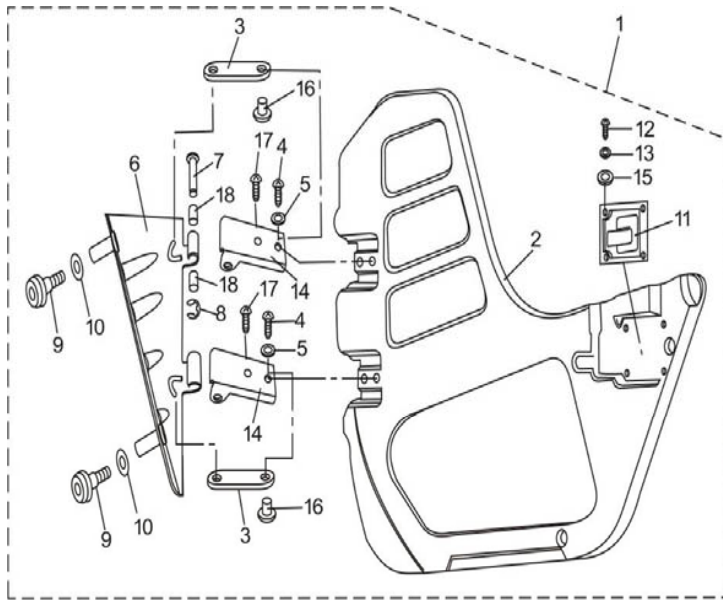


1	235170001	Air-Out Pipe Joint Hoop,Clutch
2	235170002	Air-Out Pipe Joint,Clutch
3	235170003	Air-In Pipe
4	106170023	Sic Angle Flang Bolt M6×16
5	235170005	Clip M6
6	235170006	Air-Out Pipe Joint Circlip,Clutch
7	235170007	Air-In Pipe Joint Cushion
8	235170008	Air-Out Pipe
9	106170024	Flang Bolt M6×20
10	235170010	Metal Plate, Clutch
11	235170011	Cap, Clutch Air Inlet Pipe
12	204170006	Screw
13	201170008	Gasketφ6
14	203170009	Six-Angle Flange Nut M6

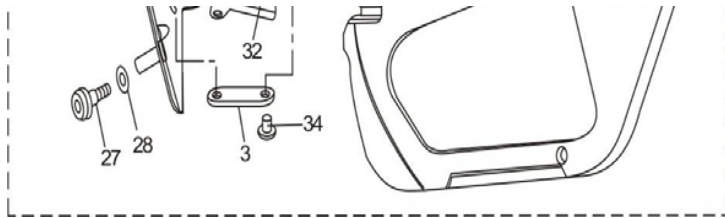
FIG.236

36、Sidedoor Parts

S/N	Parts Number	Part Name And Standard
-----	--------------	------------------------



1	236170001	Left Side Door Component
2	236170002	Left Side Door Assy
3	236170003	Position Return Band
4	204170002	Screw M6×16
5	201170008	Washer Φ6
6	236170006	Side Door Support
7	236170007	Gemel Pin
8	236170008	Circlip
9	236170009	Six-Angle Flange Bolt M8×38-Φ10×16
10	236170010	Washer
11	236170011	Left Side Door Lock
12	211170024	Screw M5×10
13	236170013	Gasket Φ5
14	236170014	Side Door Gemel
15	217170024	Large Washer Φ5
16	236170016	Collar Bush
17	236170017	Screw M6×10
18	236170018	Nylon Bush
19	236170019	Right Side Door Component
20	236170020	Right Side Door Assy
21	236170003	Position Return Band
22	204170002	Screw M6×16
23	201170008	Washer Φ6
24	236170024	Side Door Support
25	236170007	Gemel Pin



26	236170008	Circlip
27	236170009	Six-Angle Flange Bolt M8×38-Φ10×16
28	236170010	Gasket
29	236170029	Right Side Door Lock
30	211170024	Screw M5×10
31	236170013	Gasket Φ5
32	236170014	Side Door Gemel
33	217170024	Large Washer Φ5
34	236170016	Collar Bush
35	236170017	Screw M6×10
36	236170018	Nylon Bush